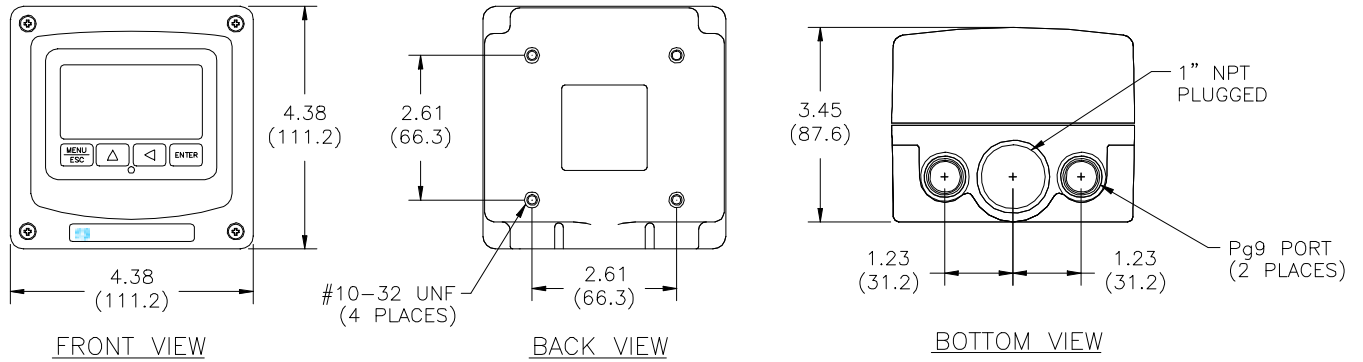


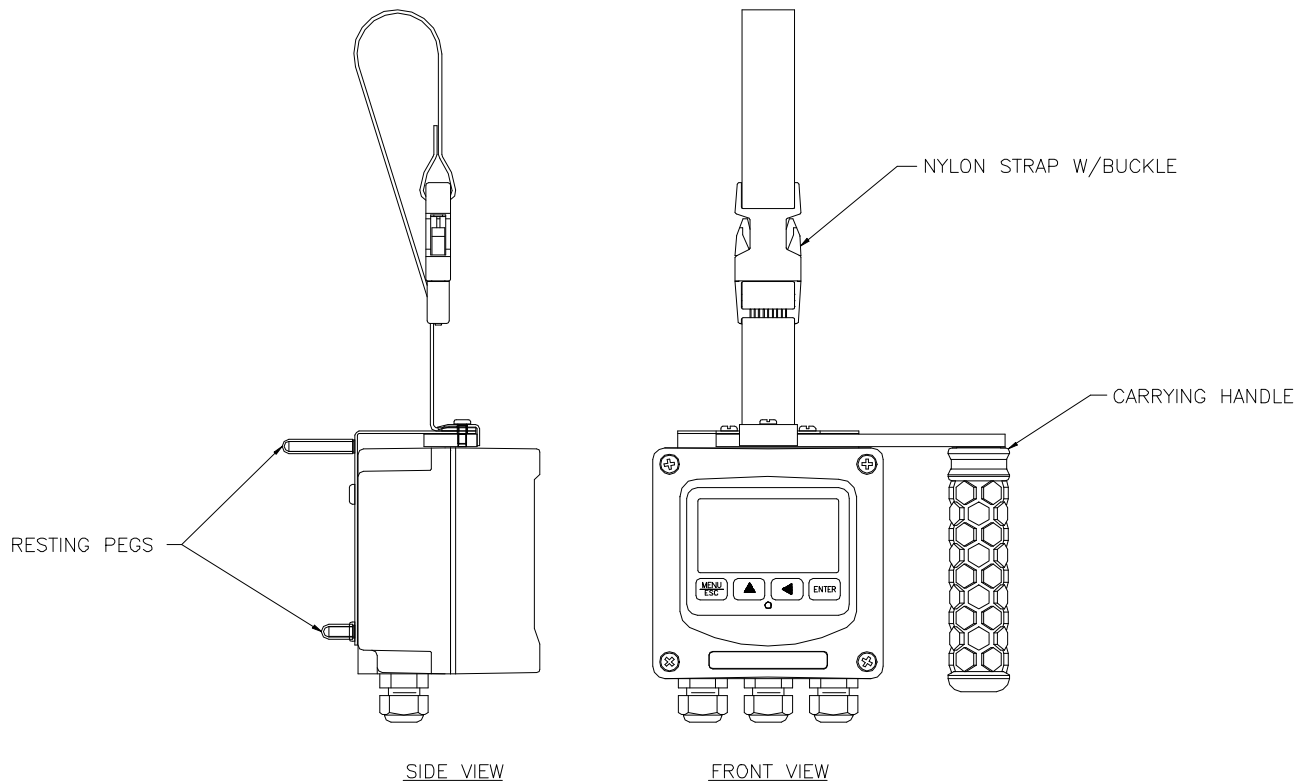
**2-WIRE VERSION or REMOTE DC MODELS**



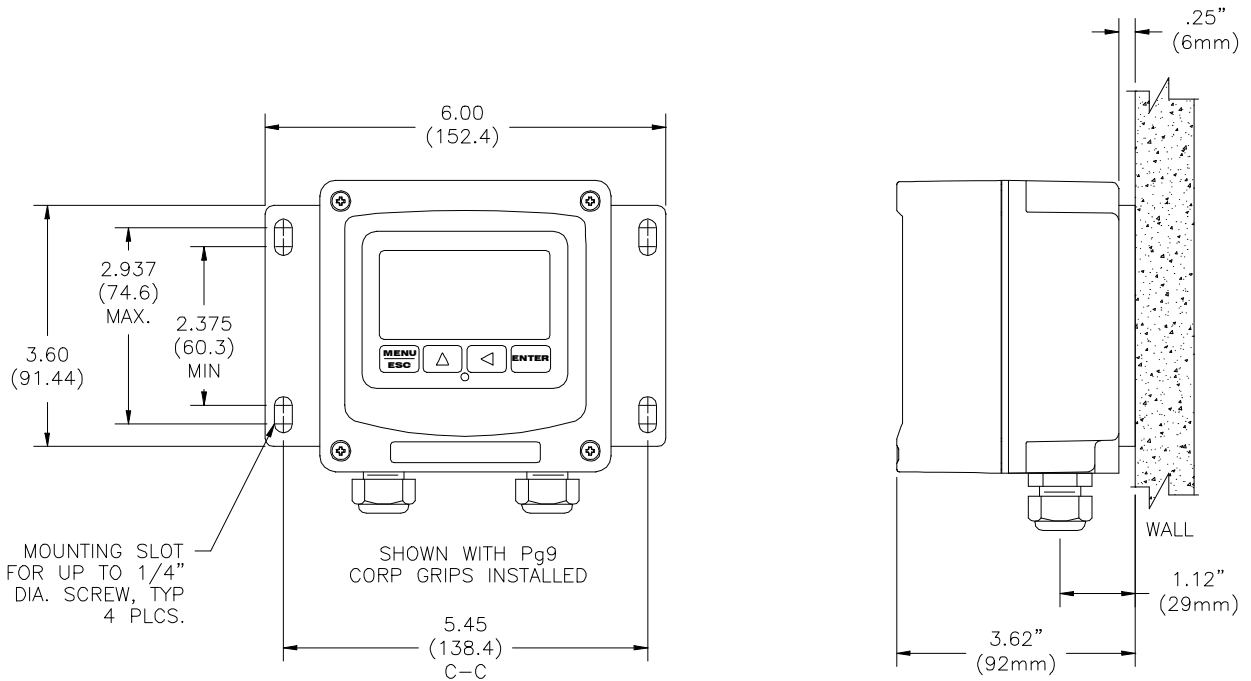
**NOTE: JUNCTION BOXES HAVE SAME DIMENSIONS AS 2-WIRE TRANSMITTER**

ATI-0655

**INTERNAL BATTERY MODEL**

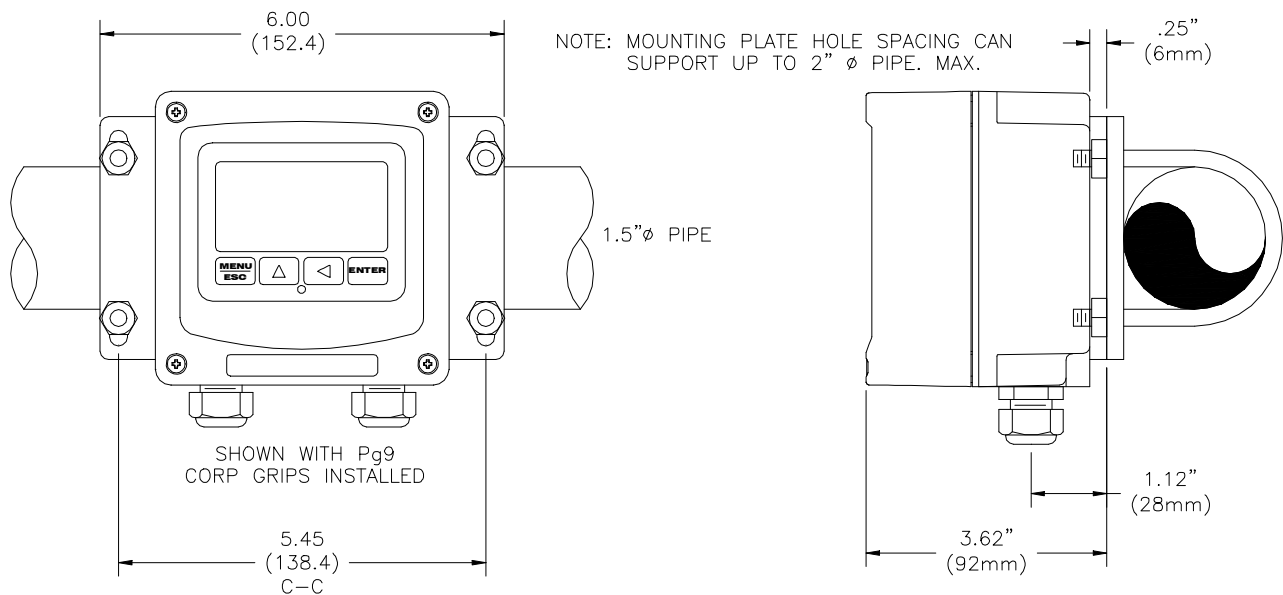


**WALL MOUNTING**



ATI-0709

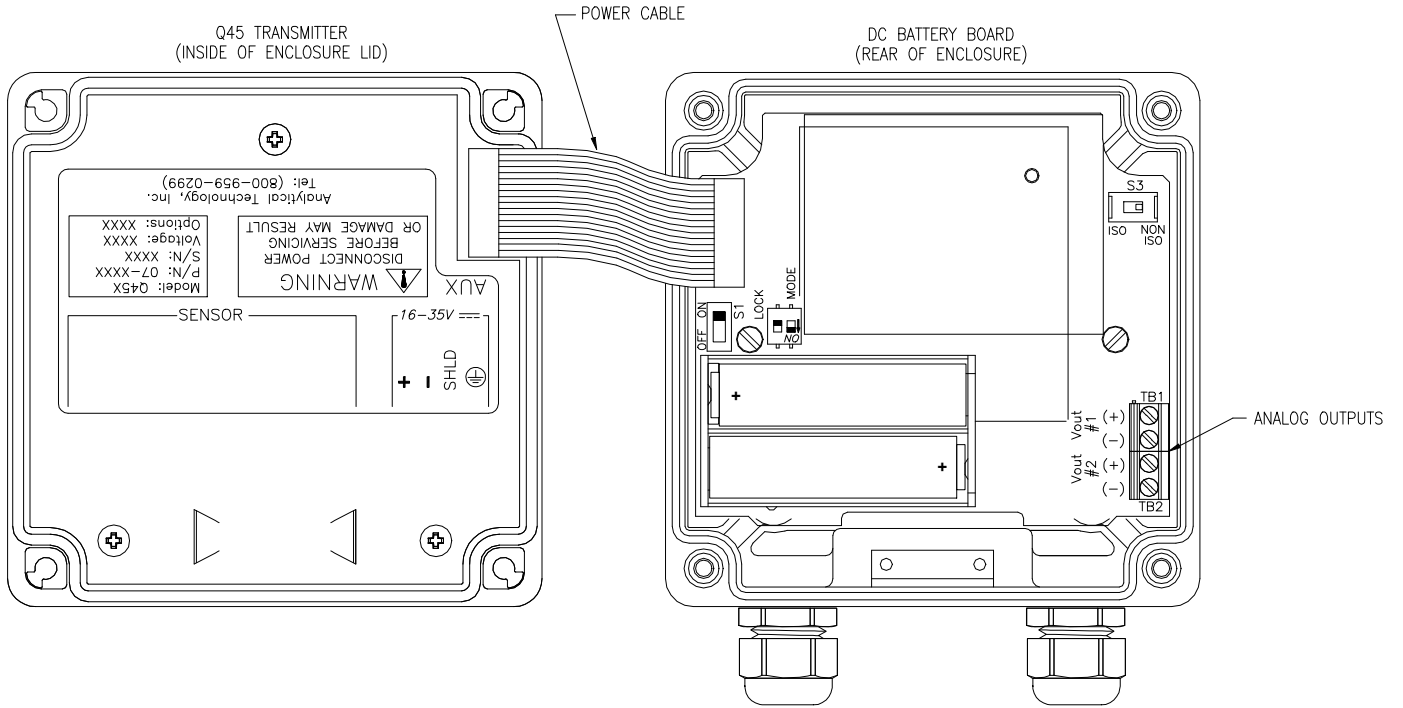
**PIPE MOUNTING**



NOTE: PLATE MAY BE TURNED 90° FOR VERTICAL PIPE MOUNTING

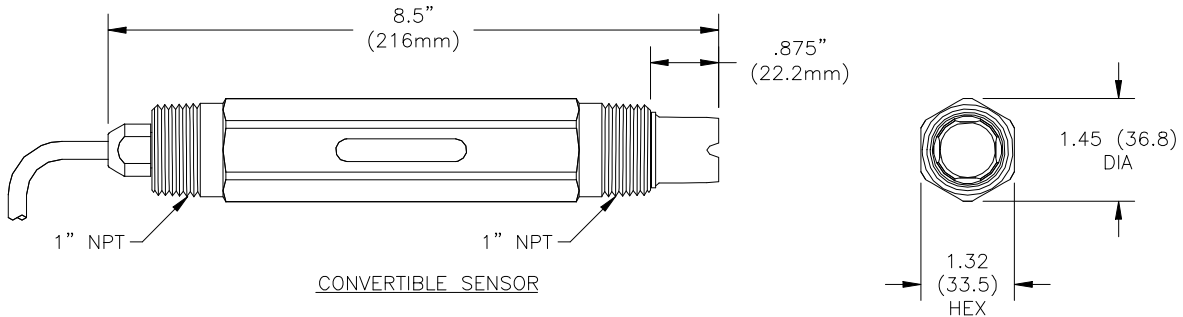
ATI-0710

**INTERNAL BATTERY CONFIGURATION**

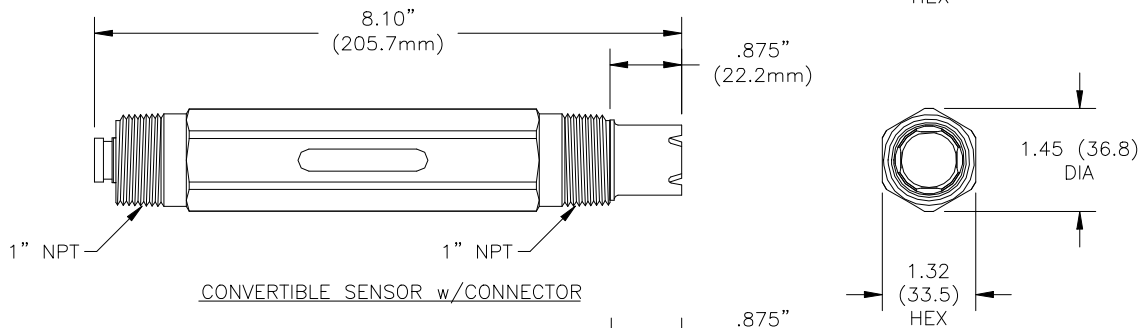


ATI-0827b

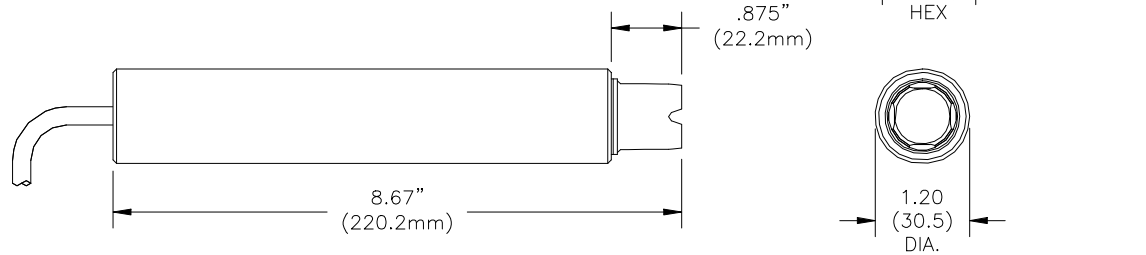
**Q25C4 4E CONDUCTIVITY SENSOR DIMENSIONS**



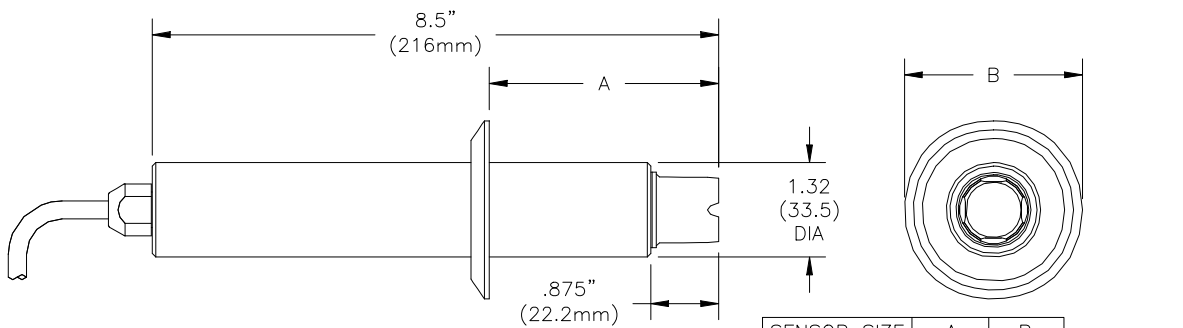
CONVERTIBLE SENSOR



CONVERTIBLE SENSOR w/CONNECTOR



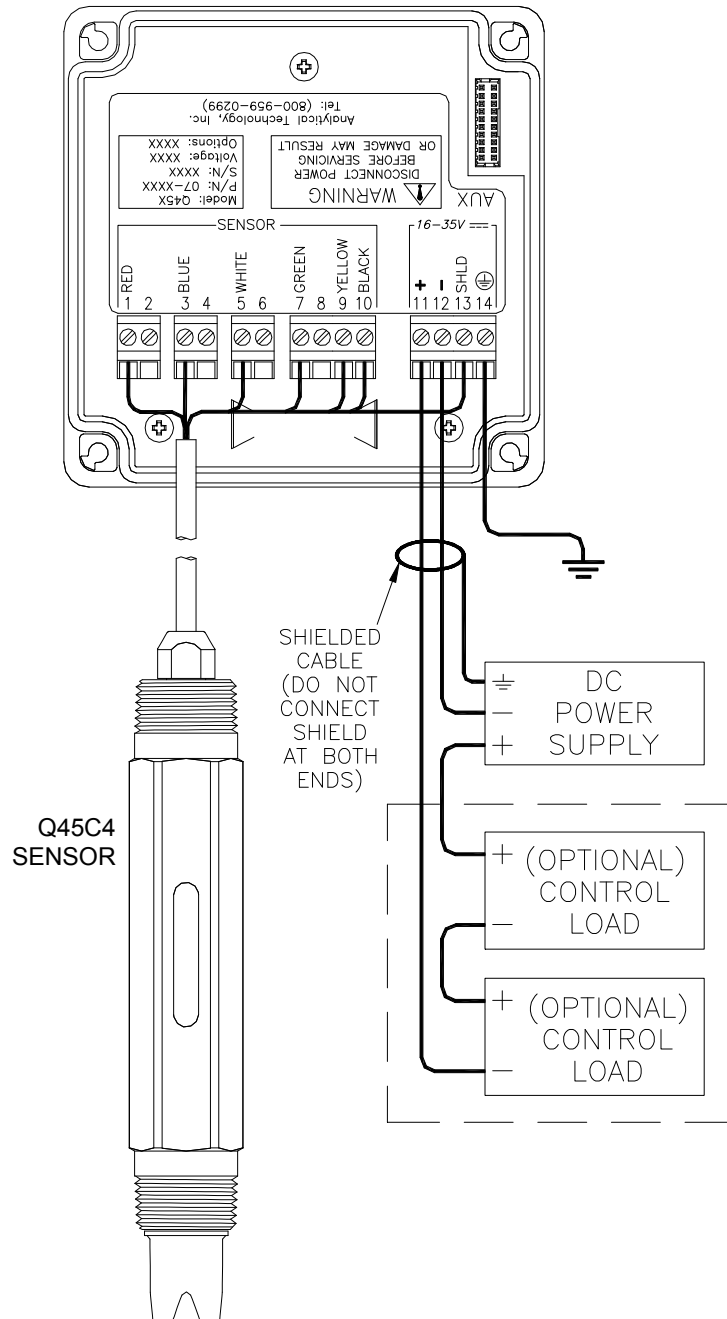
INSERTION SENSOR



SANITARY SENSOR

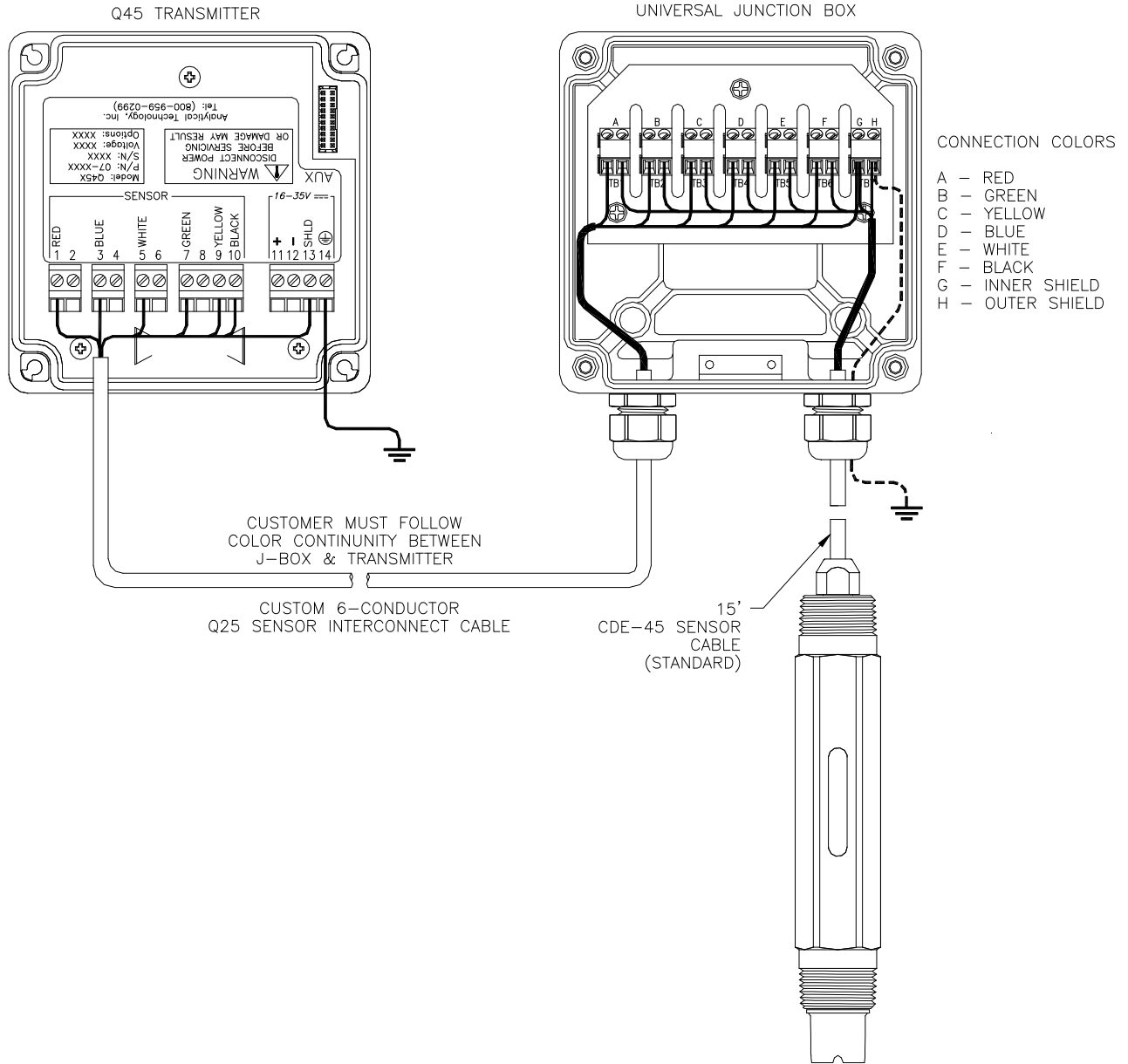
SENSOR SIZE	A	B
1-1/2"	2.38 (60.5)	1.98 (50.4)
2"	3.13 (80.0)	2.50 (63.5)

**ELECTRICAL CONNECTIONS - 2-WIRE TRANSMITTER**

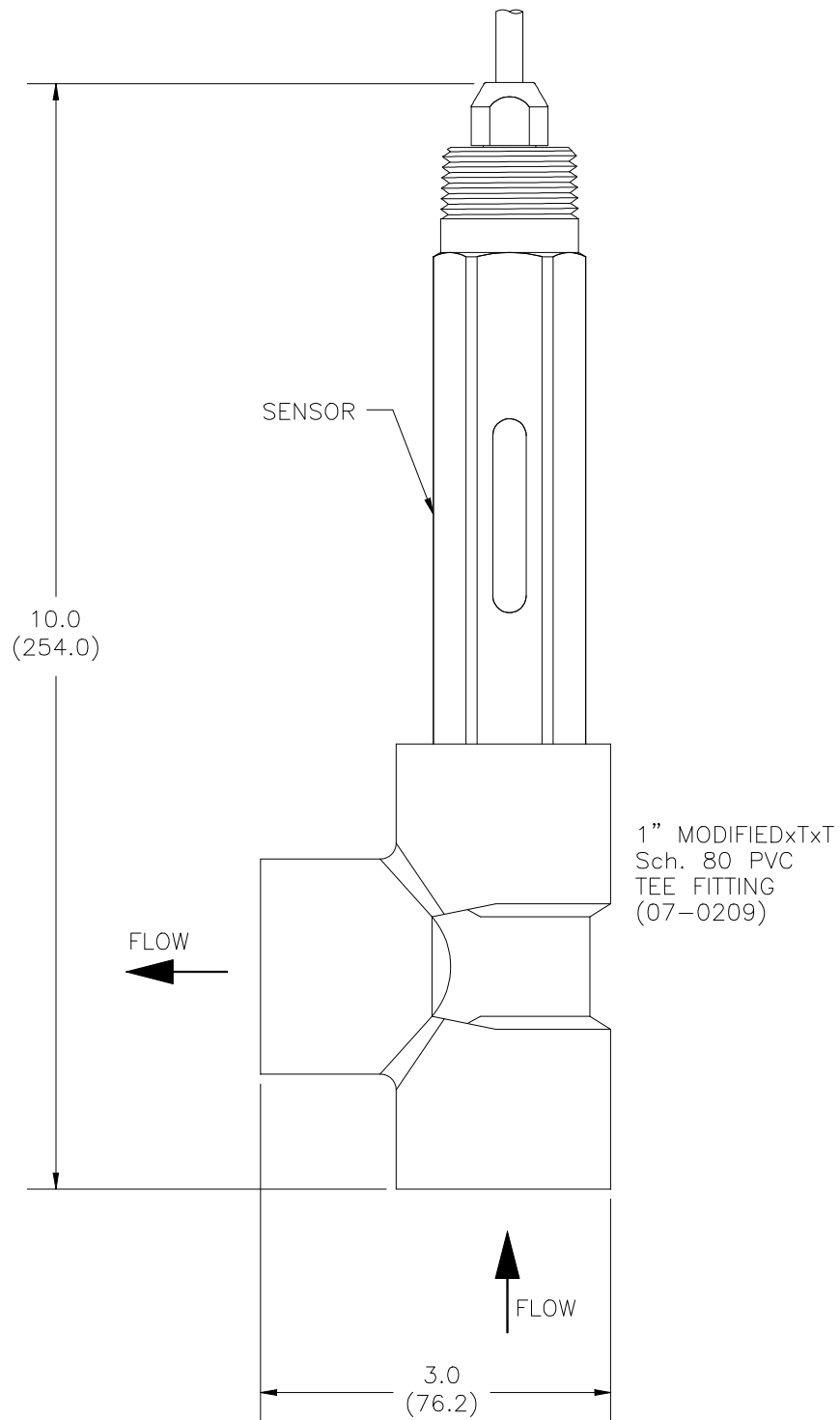


- NOTES:** 1. Voltage between Terminals 11 & 12 MUST be between 16 & 35 VDC.  
 2. Earth ground into Terminal 14 is HIGHLY recommended. This connection can greatly improve stability in electrically noisy environments.

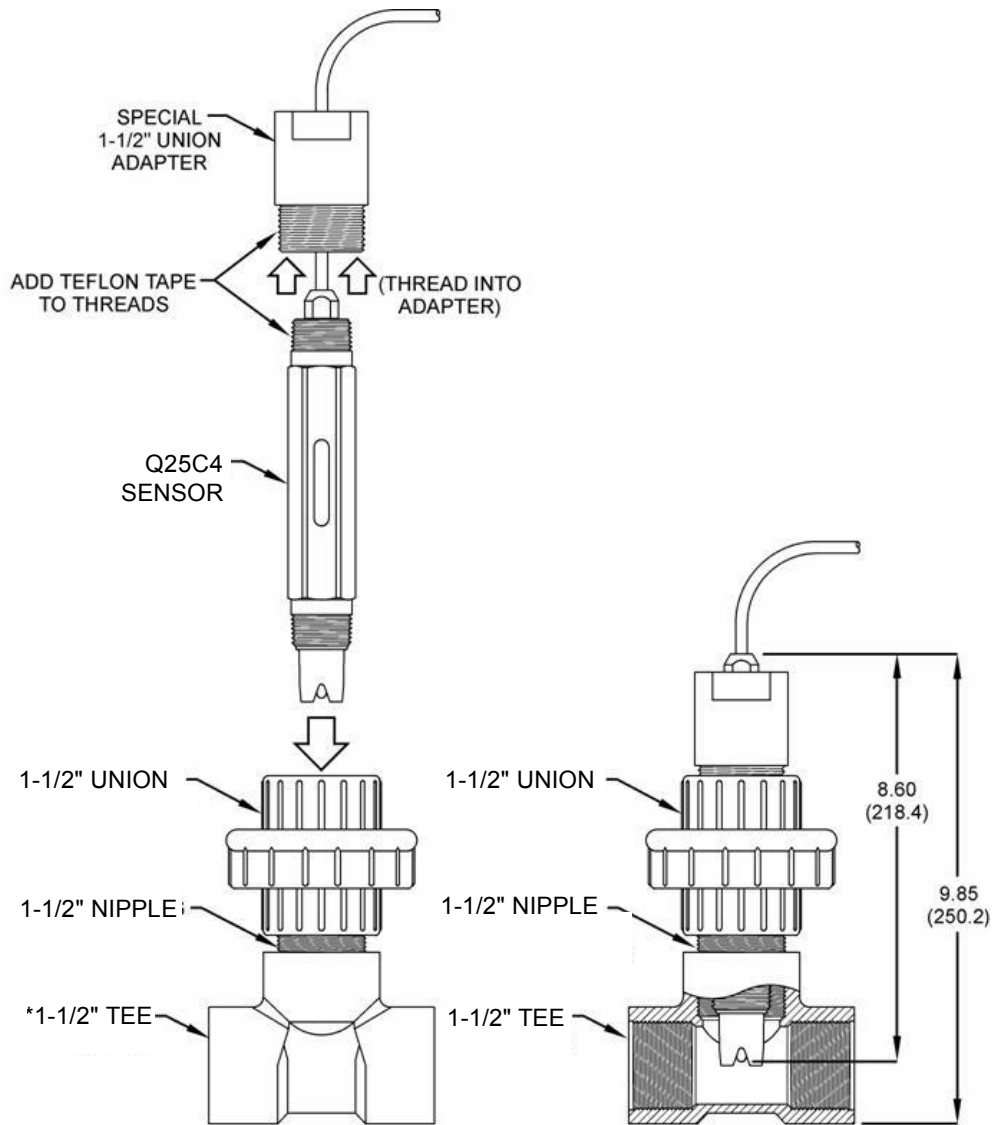
**ELECTRICAL CONNECTIONS - 2-WIRE WITH JUNCTION BOX**



ATI-0738

**FLOW TEE DETAIL**

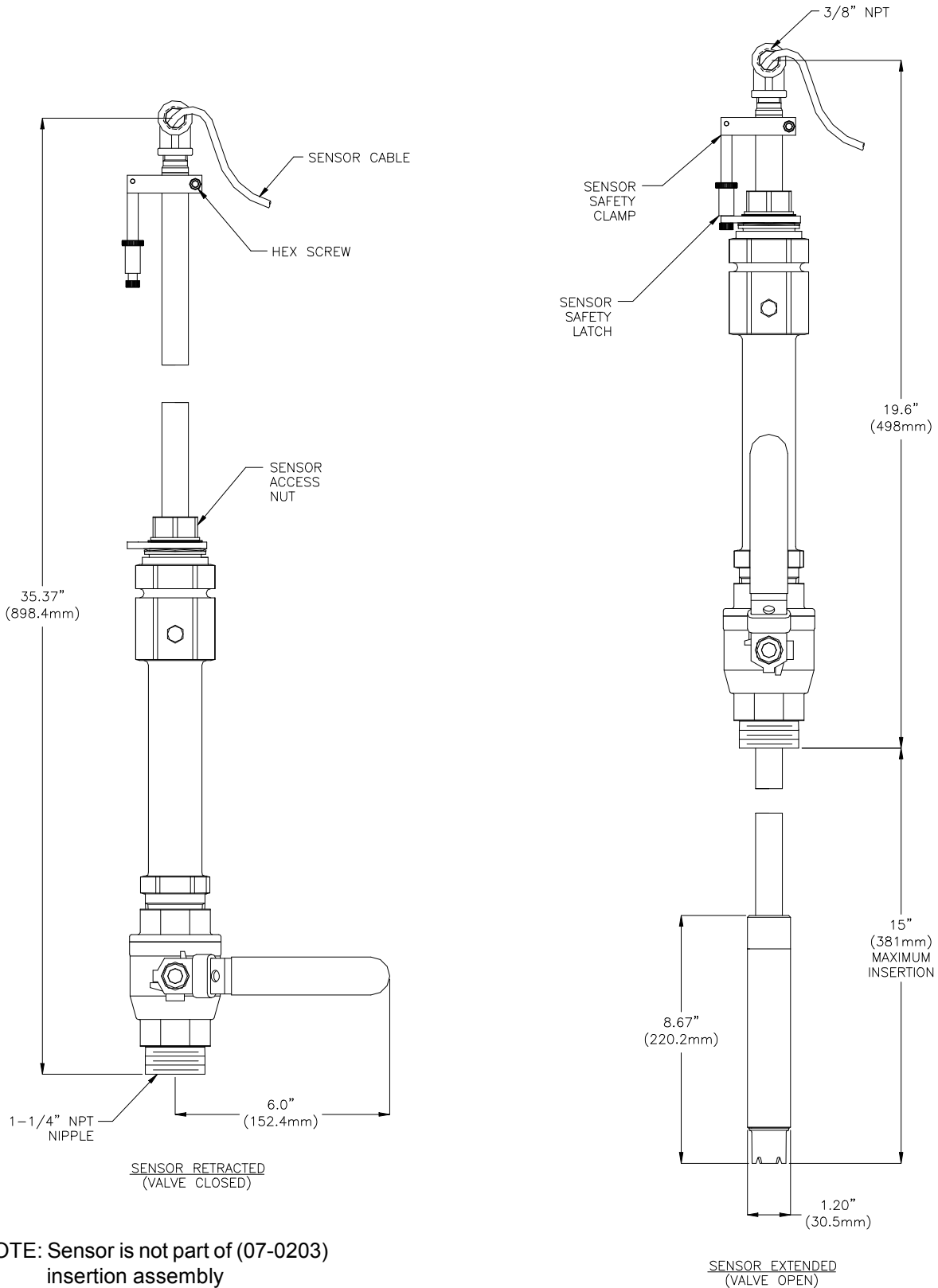
1-1/2" UNION DETAIL - (07-0221)



\* 1-1/2" TEE Fitting not supplied with P/N (07-0221). Tee Fitting must be ordered Separately



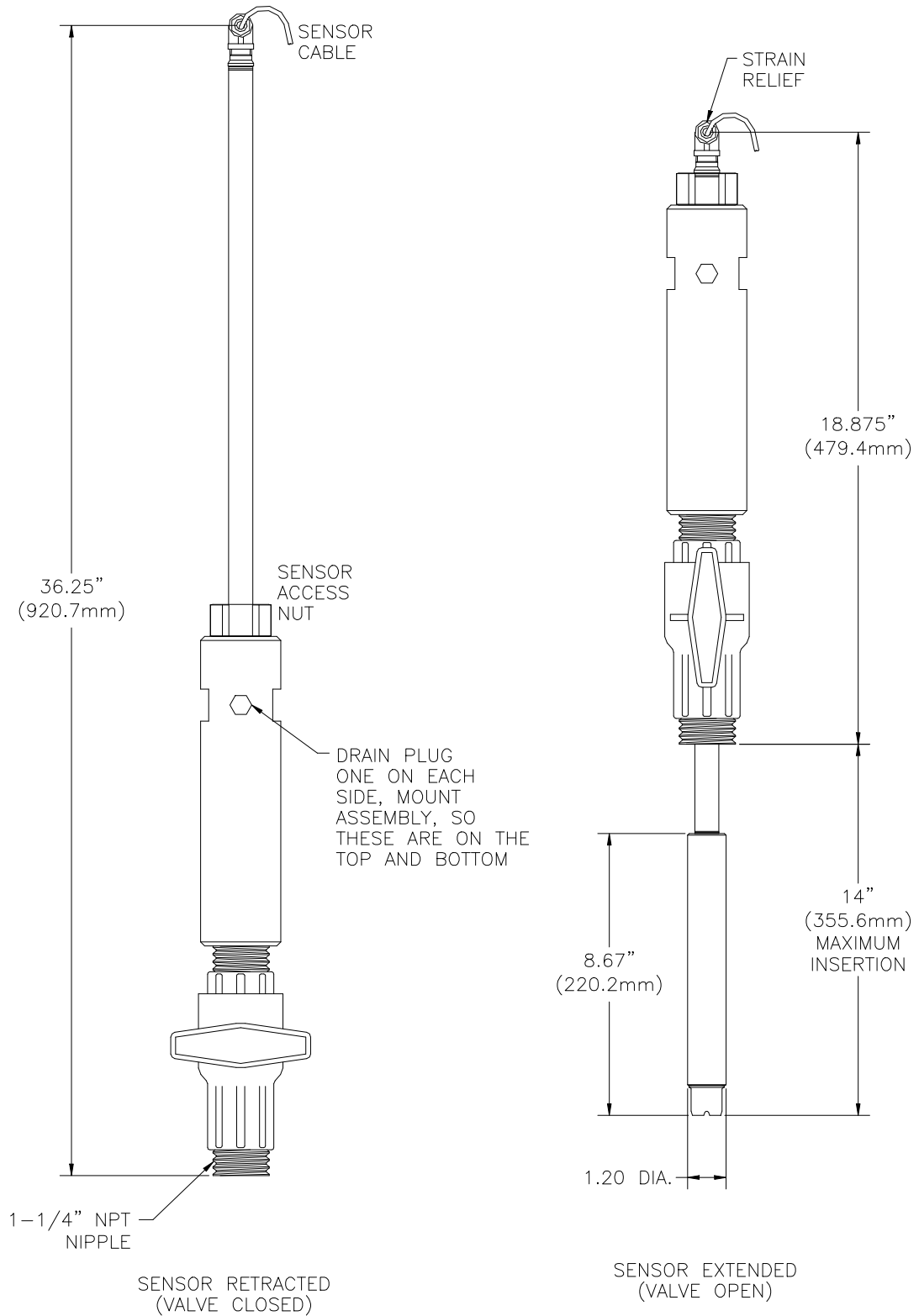
**INSERTION ASSEMBLY DETAIL (07-0203) - (SS VERSION)**



NOTE: Sensor is not part of (07-0203) insertion assembly

ATI-0739

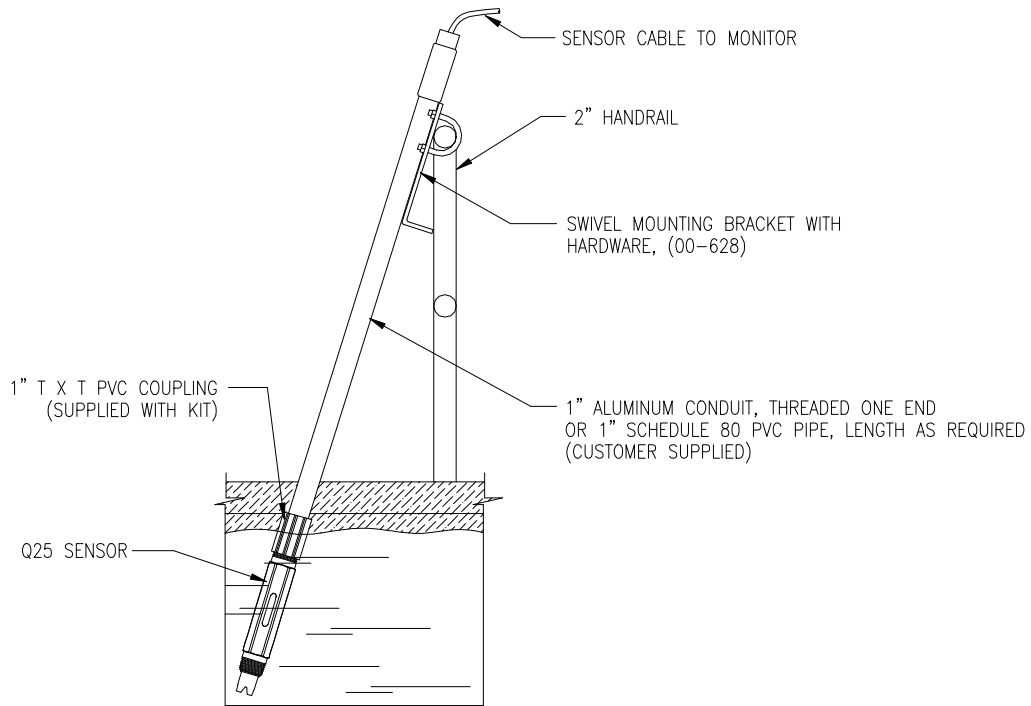
**INSERTION ASSEMBLY DETAIL (07-0223) - (CPVC VERSION)**



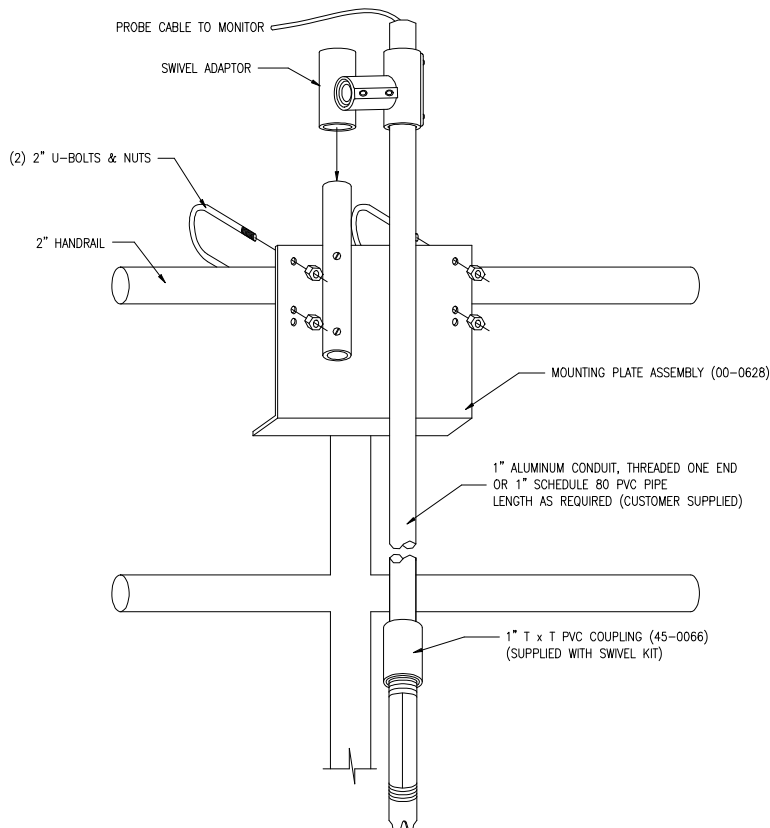
NOTE: Sensor is not part of (07-0223) insertion assembly

ATI-0682

**(00-0628) SUBMERSION MOUNTING ASSEMBLY**



ATI-0728



ATI-0729