

# PDA6624, PDA6844, PDA6854

## Panel Mounting Kits



### KEY FEATURES

- Mounts NEMA 4X Field Meters in Panel
- All Necessary Hardware Provided

### OVERVIEW

These panel mounting kits provide a convenient way to mount Precision Digital's models PD662, PD685, and PD686 in a panel. All the necessary hardware is provided and installation is a quick and easy process. It is important to note that these panel mounting kits do not provide a NEMA 4X seal to the panel.

### MOUNTING INSTRUCTIONS

1. Prepare panel cutout per dimensions in Ordering Information.
2. Insert the meter through the mounting plate.
3. Insert assembly through panel cutout.
4. Secure with four brackets and four screws at corners of the meter. Use washers as needed to allow for panel thickness.

#### Notes:

1. Mounting brackets require 0.8" (20 mm) clearance on either top or side of meter for installation.
2. Tolerance for panel cutout dimensions are +0.01"/-0.00" (+0.3/-0.0 mm).
3. Panel mounting kits are not intended to provide waterproof protection to the panel.

### ORDERING INFORMATION

(All units: inches (mm) unless otherwise specified)

Model	Meter	Panel Cutout Required	Mounting Plate Overall Dimensions	Allowable Panel Thickness	Weight lb (kg)
PDA6624	PD662	4.25 x 3.07 (108 x 78)	5.24 x 4.05 x 0.125 (133 x 103 x 3)	0.060 - 0.125 (1.5 - 3.2)	0.2 (0.1)
PDA6844	PD686	5.40 x 3.08 (138 x 78)	6.43 x 4.05 x 0.125 (163 x 103 x 3)		
PDA6854	PD685	5.04 x 3.07 (128 x 78)	6.02 x 4.05 x 0.125 (163 x 103 x 3)		

#### Disclaimer

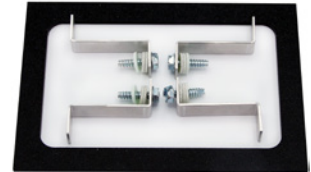
The information contained in this document is subject to change without notice. Precision Digital Corporation makes no representations or warranties with respect to the contents hereof, and specifically disclaims any implied warranties of merchantability or fitness for a particular purpose. See Warranty Information and Terms & Conditions on [www.predig.com](http://www.predig.com) for complete details.

© 2020 Precision Digital Corporation. All rights reserved.

**PRECISION DIGITAL CORPORATION**  
233 South Street • Hopkinton MA 01748 USA • Tel (800) 343-1001

### CONTENTS

- One plastic mounting plate
- Four self-tapping screws
- Four mounting brackets
- Twelve washers



### MOUNTING (Rear View)



Figure 1. Rear View of Panel Mounting Kit

### DRAWINGS

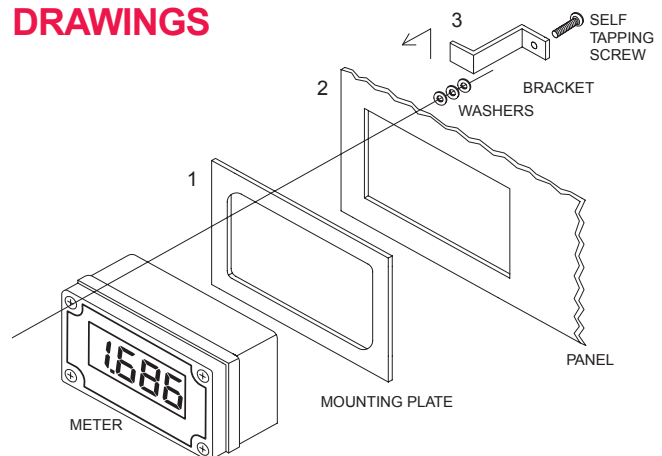


Figure 2. Mounting Diagram for NEMA 4X Field Meters

#### WARNING

Cancer and Reproductive Harm - [www.P65Warnings.ca.gov](http://www.P65Warnings.ca.gov)

LIM6624\_A 06/20

**PRECISION DIGITAL**  
[www.predig.com](http://www.predig.com)