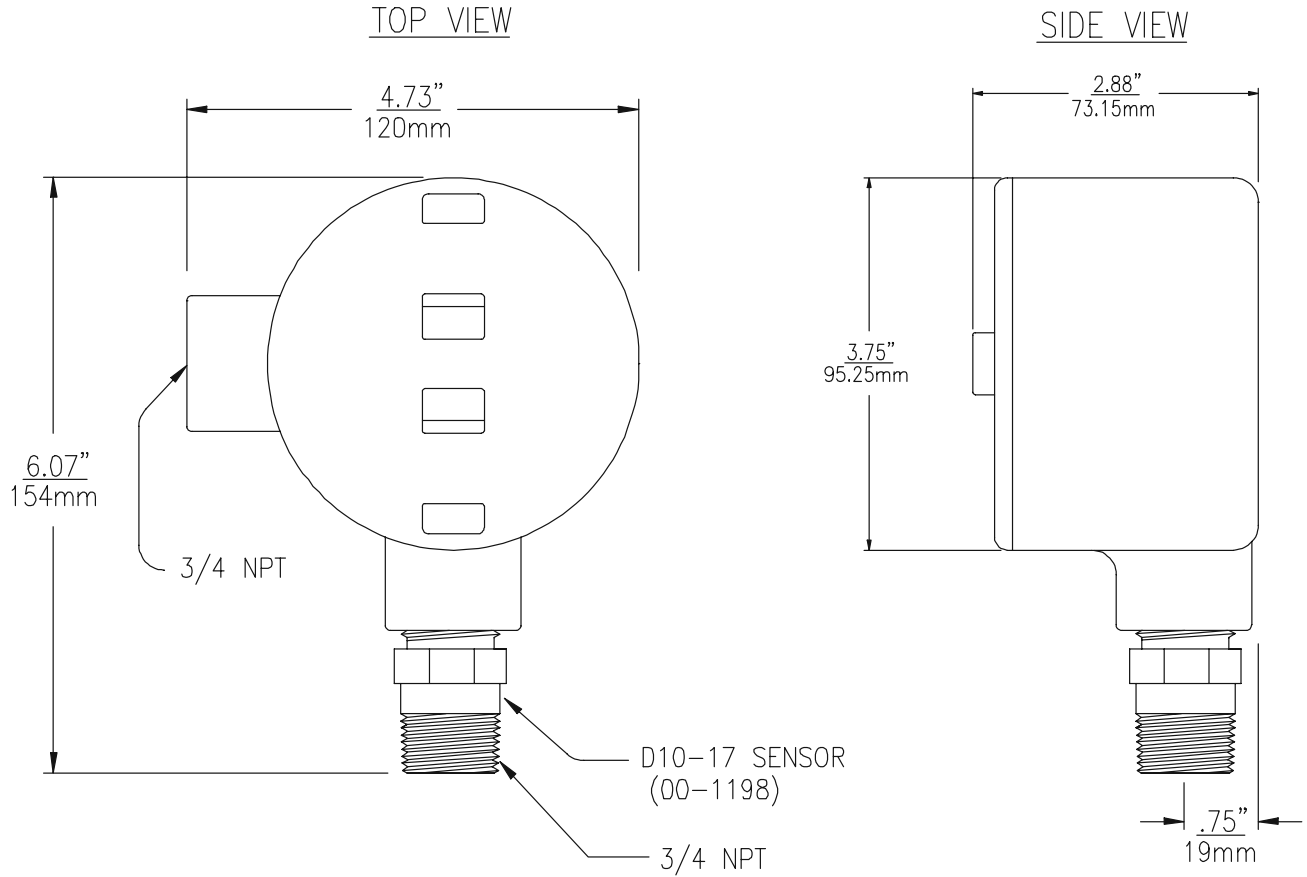


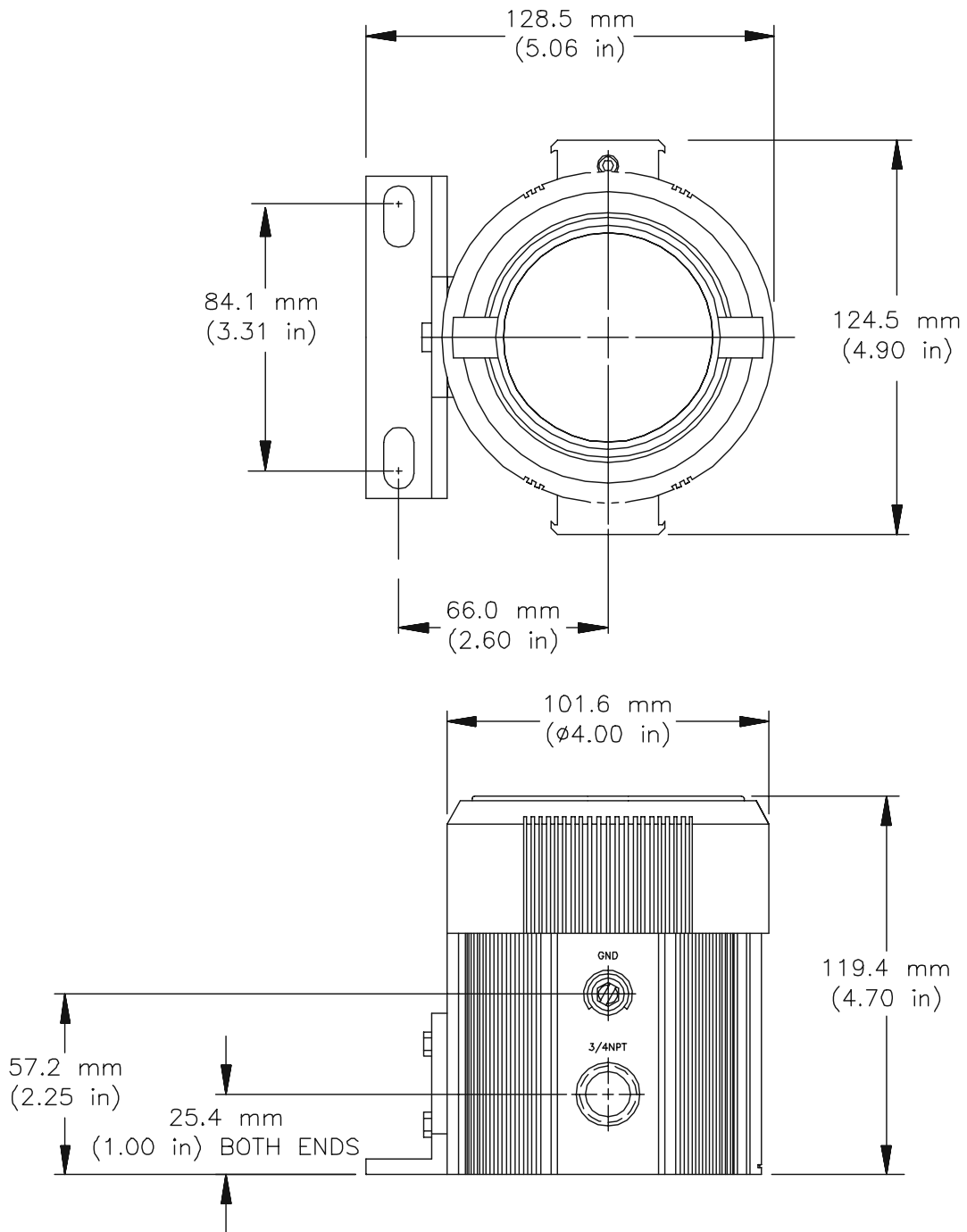
BLIND ENCLOSURE



Enclosure: Galvanized Cast Iron
Classifications: NEC Class 1,
Division 1, Groups B, C, D

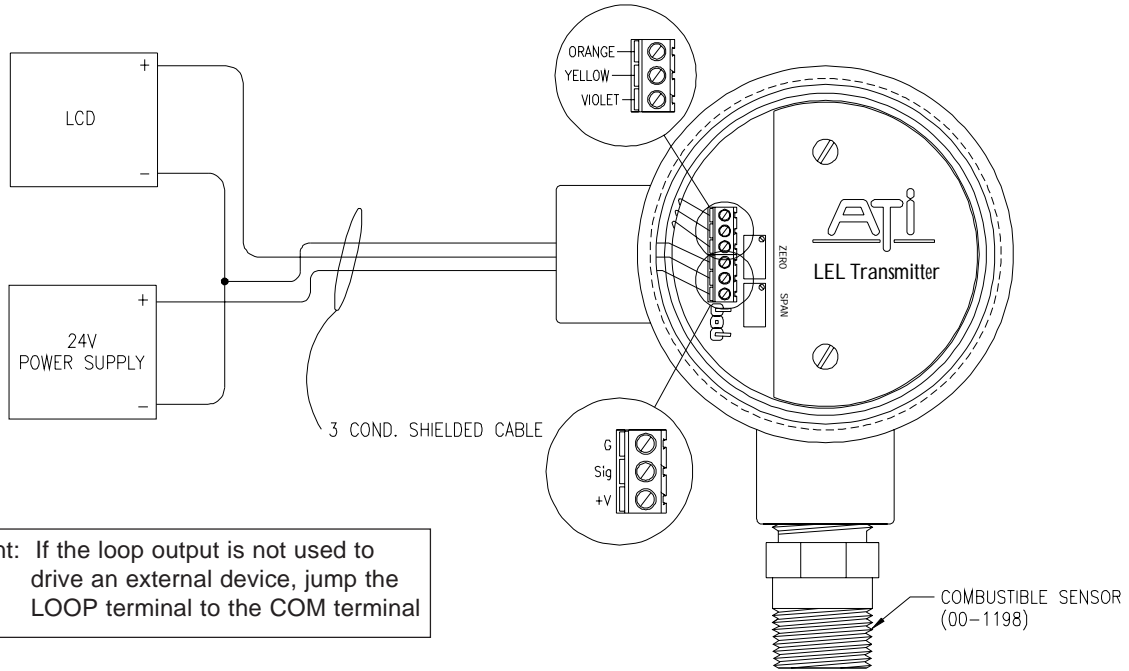
ATI-046

ENCLOSURE w/DISPLAY & RELAYS



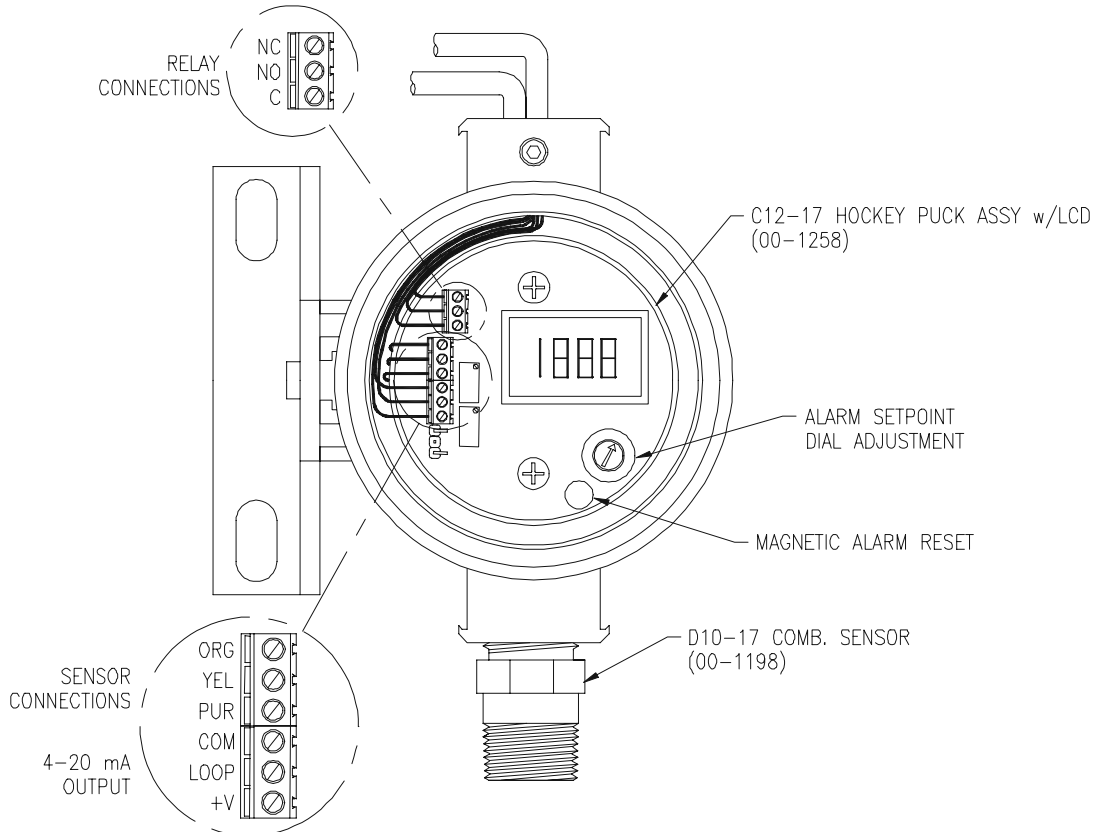
Enclosure: Extruded Aluminum w
Glass Window
Classifications: NEC Class 1,
Division 1, Groups A, B,
C, D

TYPICAL WIRING (BLIND TRANSMITTERS)



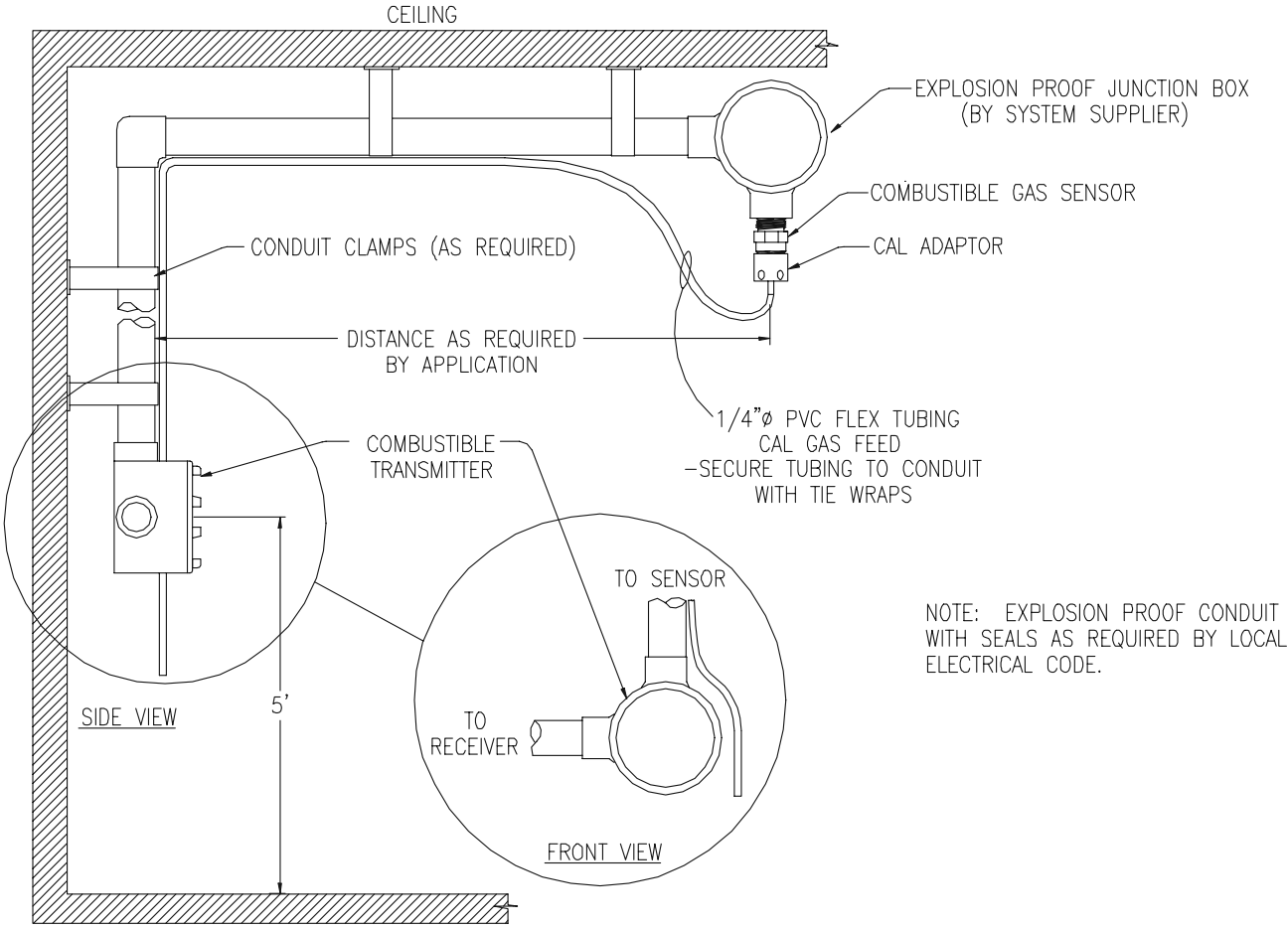
ATI-0237

TYPICAL WIRING (DISPLAY & RELAYS TRANSMITTERS)



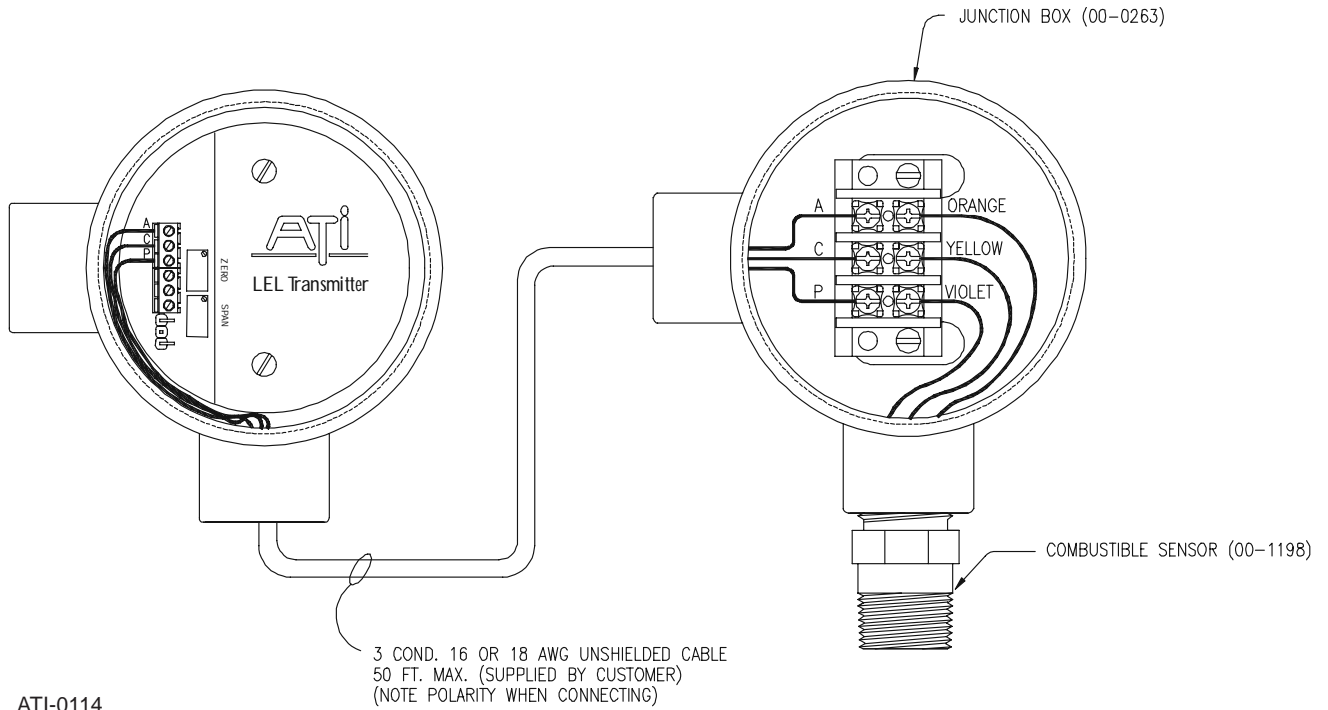
ATI-0570

DUAL CONDUIT TYPICAL INSTALLATION



ATI-066

DUAL CONDULET (BLIND TRANSMITTERS) WIRING DIAGRAM



DUAL CONDULET (DISPLAY & RELAY TRANSMITTERS) WIRING DIAGRAM

