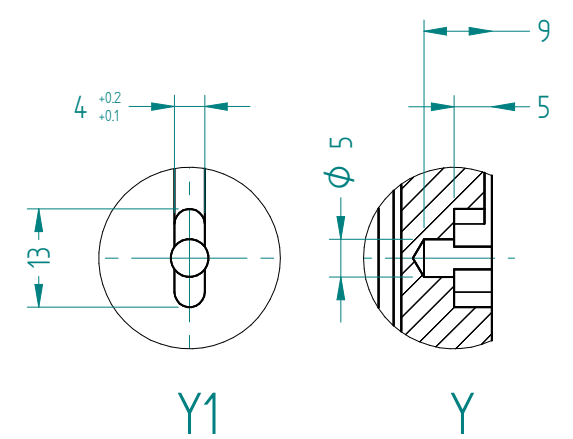


ACTUATOR TYPE	φ A	B +0.2 / 0.0	C ISO 286 D10	φ D +0.25 / +0.15	E +0.2 / -0.2	α	β	φ F +0.2 / -0.2	G	H	K	φ L	φ L1	M	M1	P
RP-RH-GO 015	56	22.8	6	20	70	45°	90°	28	M3	7	4	M6	6.5	11	3	3.6 / 1.8
RP-RH-GO 030	77	38.3	10	35	96	45°	90°	46	M4	8	4	M6	6.5	19	6	3.8 / 1.7
RP-RH-GO 060	89	43.3	12	40	108	45°	90°	54	M5	10	4	M6	6.5	19	6	3.8 / 1.7
RP-RH-GO 120	104	53.8	14	50	126	30°	60°	66	M6	12	6	M6	6.5	21	6	3.9 / 1.7
RP-RH-GO 240	119	69.4	18	65	164	30°	60°	83	M6	12	6	M8	8.5	22	6	3.9 / 1.7



DETAILS "Y" AND "Y1" SHOW THE SLOT FOR LIMITSWITCHES BOX COUPLING

KEYWAYS ARE SHOWN WITH THE ACTUATOR IN CLOSED POSITION.
 * FOR MODELS WITH 6 HOLES, IT IS POSSIBLE TO USE ONLY 3 OF THEM AT 120°.

Rev	ECN	Revised	Approved	Date	Change Description
02		SABINO	BERNINI	15/09/14	Changed Drawing Layout. Updated "A" Dimensions. Removed "E1", "E2" and "E3" Dimensions. Added "alfa" and "beta" Dimensions.
01		BERNINI	BARSOTTI	14/07/05	

 Lucca - Italy www.rotork.com	Document type GENERAL DRAWING Dimensions in mm Scale 1:2		Title COUPLING DIMENSIONS FOR MICROSWITCHES ENCLOSURE	
	Created CAMONI Checked BARILLI Approved -	27-SEP-1995 27-SEP-1995	Drawing Number GD00227	Rev 02

Rev. E