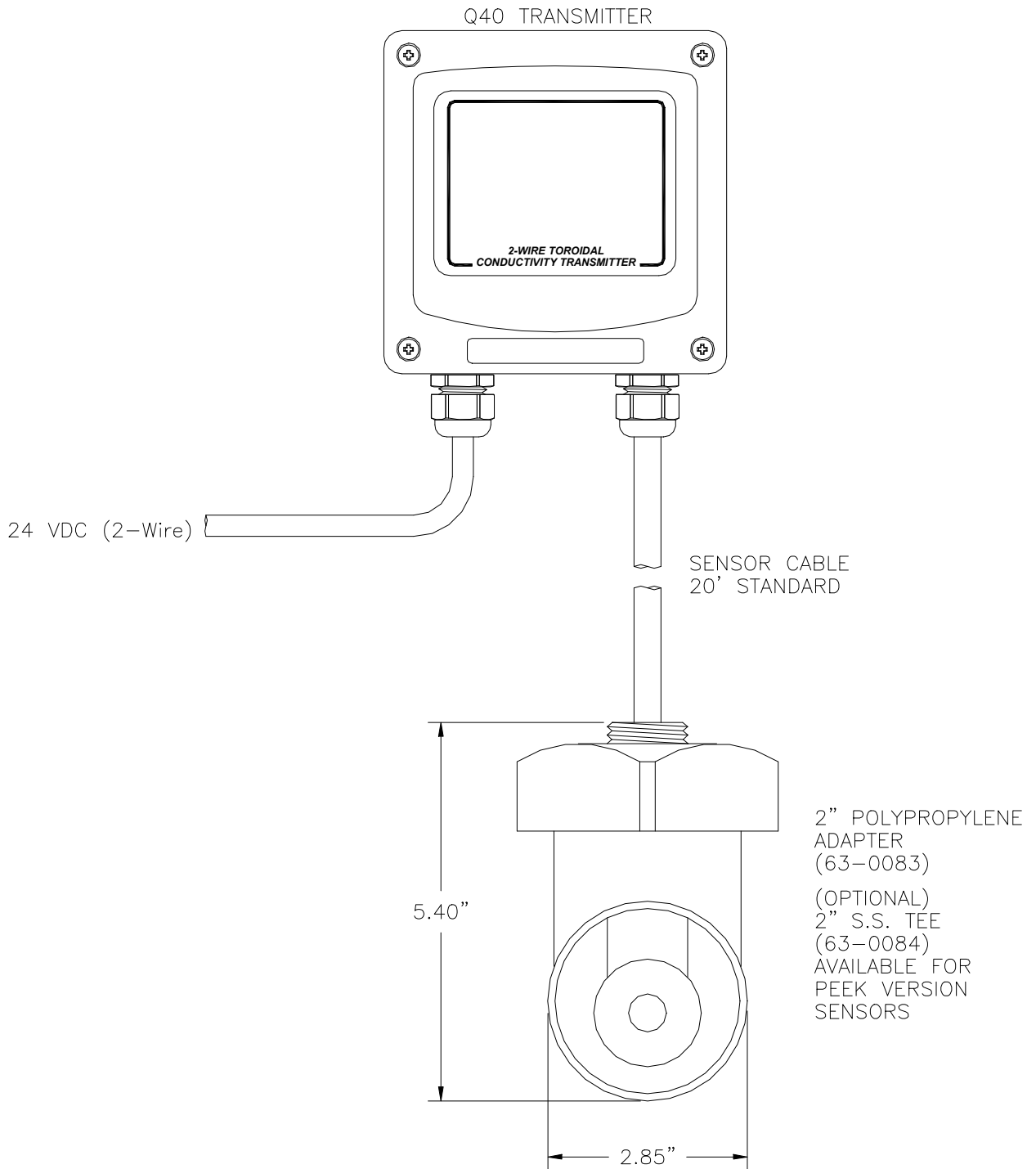
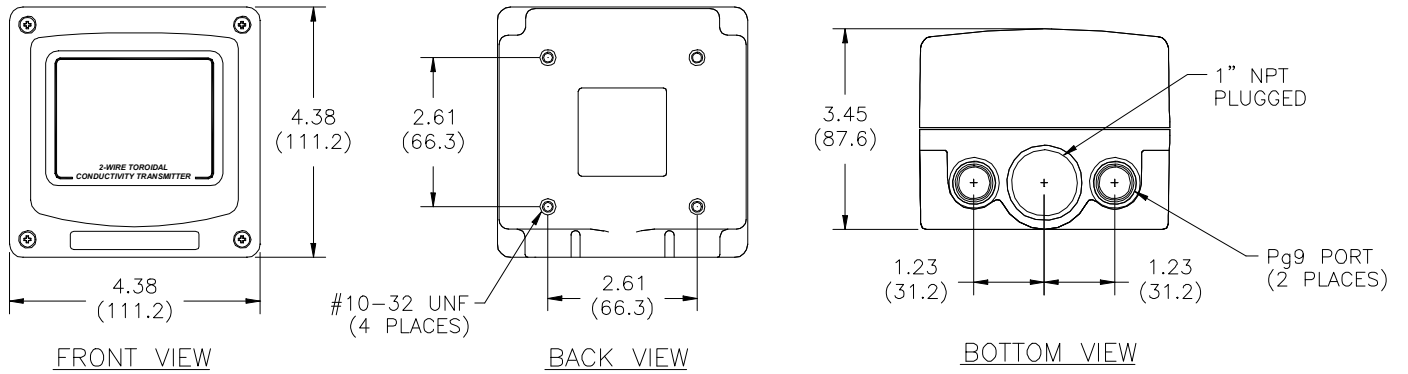


**STANDARD SYSTEM DIAGRAM**



ATI-0760

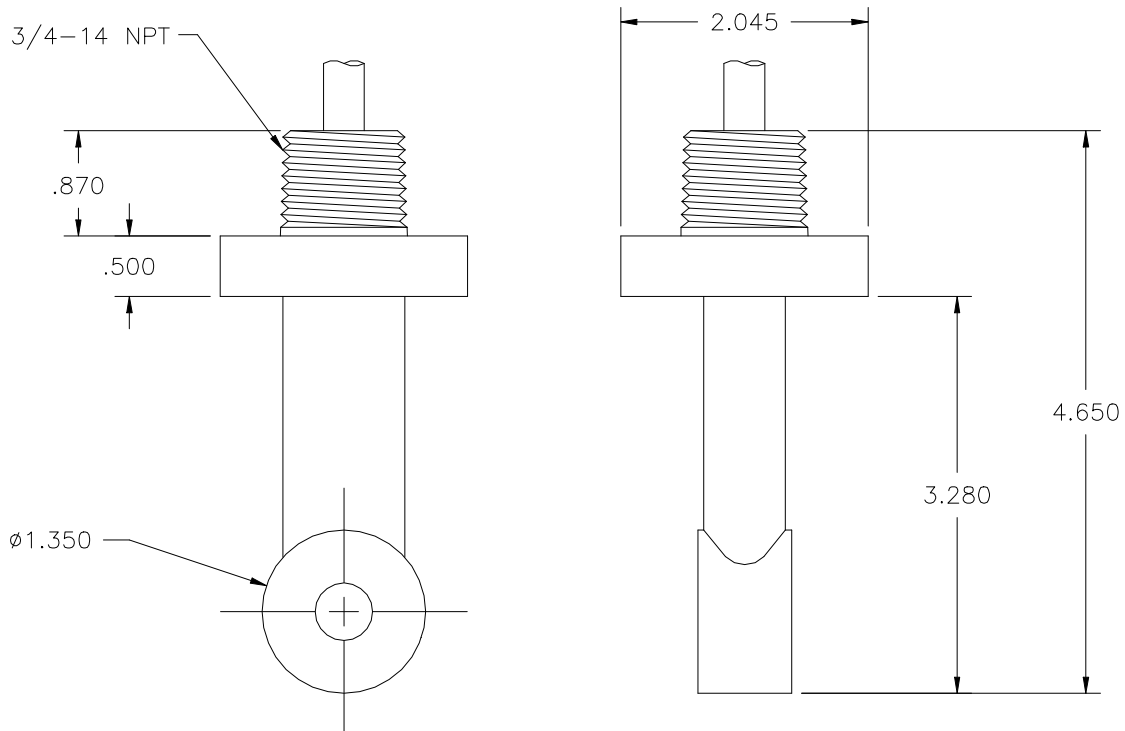
**Enclosure Dimensional**



Material: Polycarbonate  
 Ratings: Nema 4X (IP-66)  
 V-0 Fire Retardant

ATI-0765

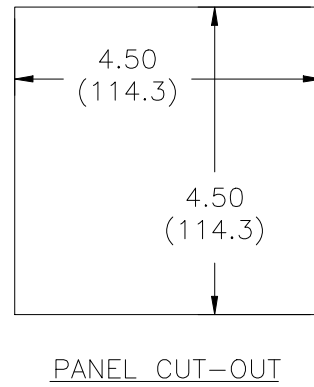
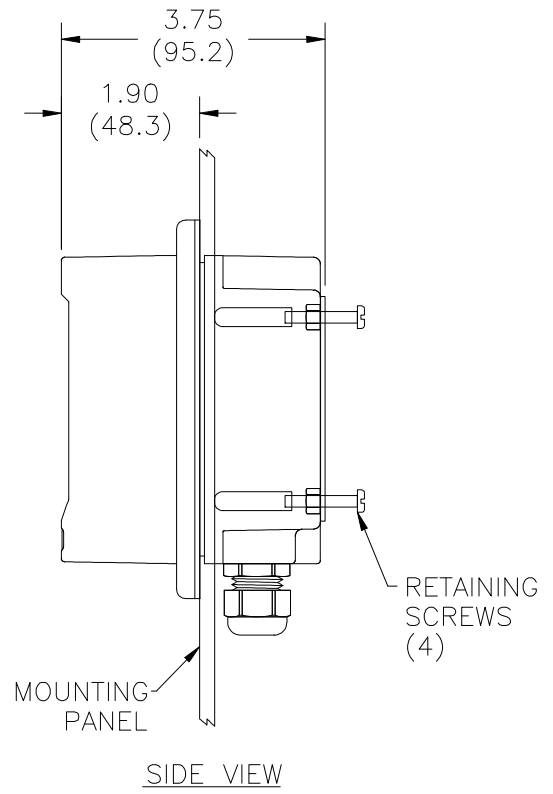
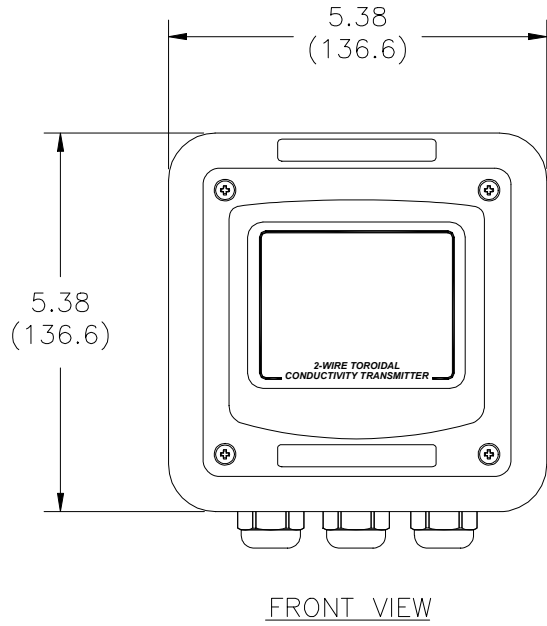
**SENSOR DIMENSIONAL INFORMATION**



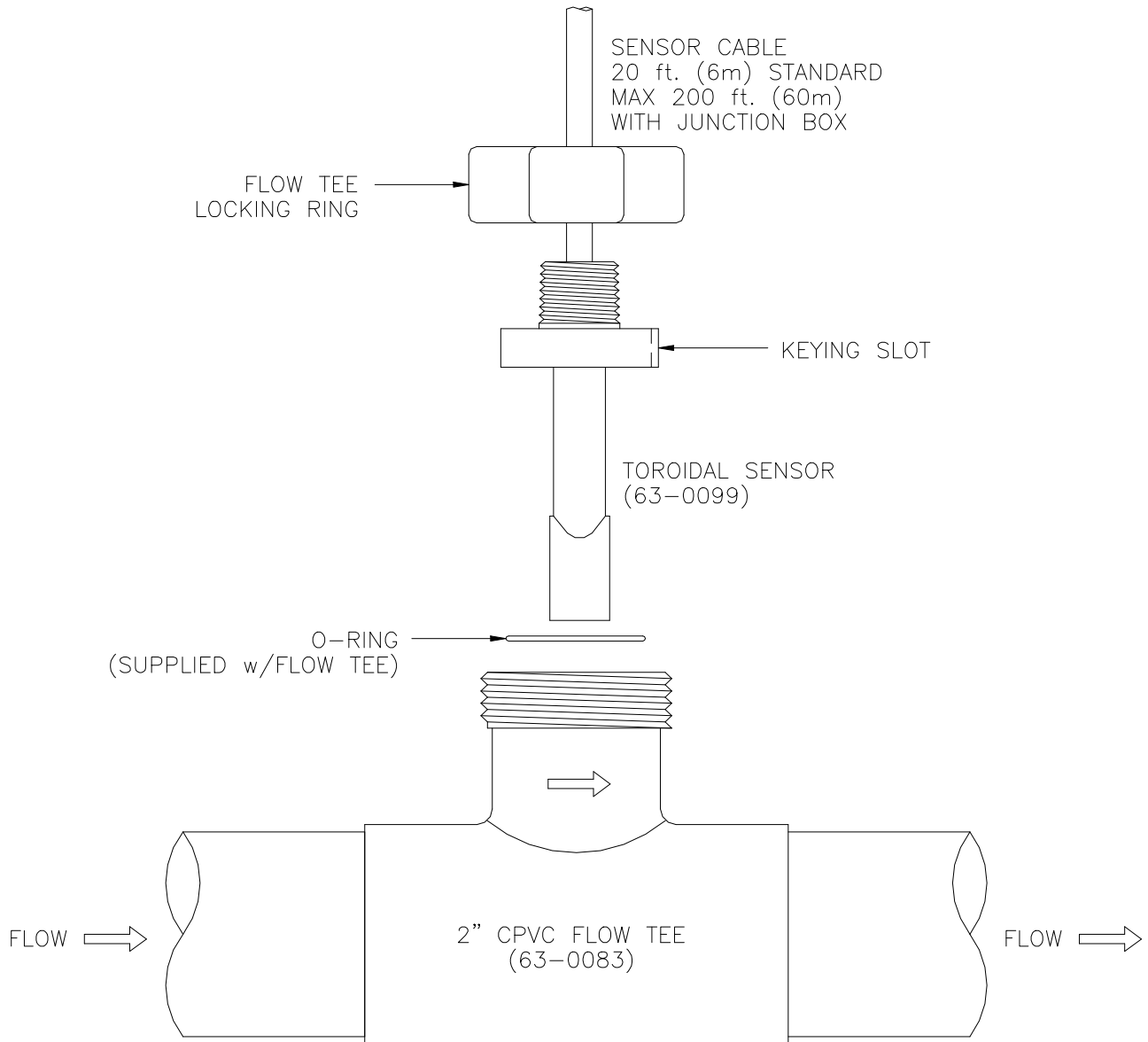
Matl: Noryl

ATI-0758

**PANEL MOUNTING**

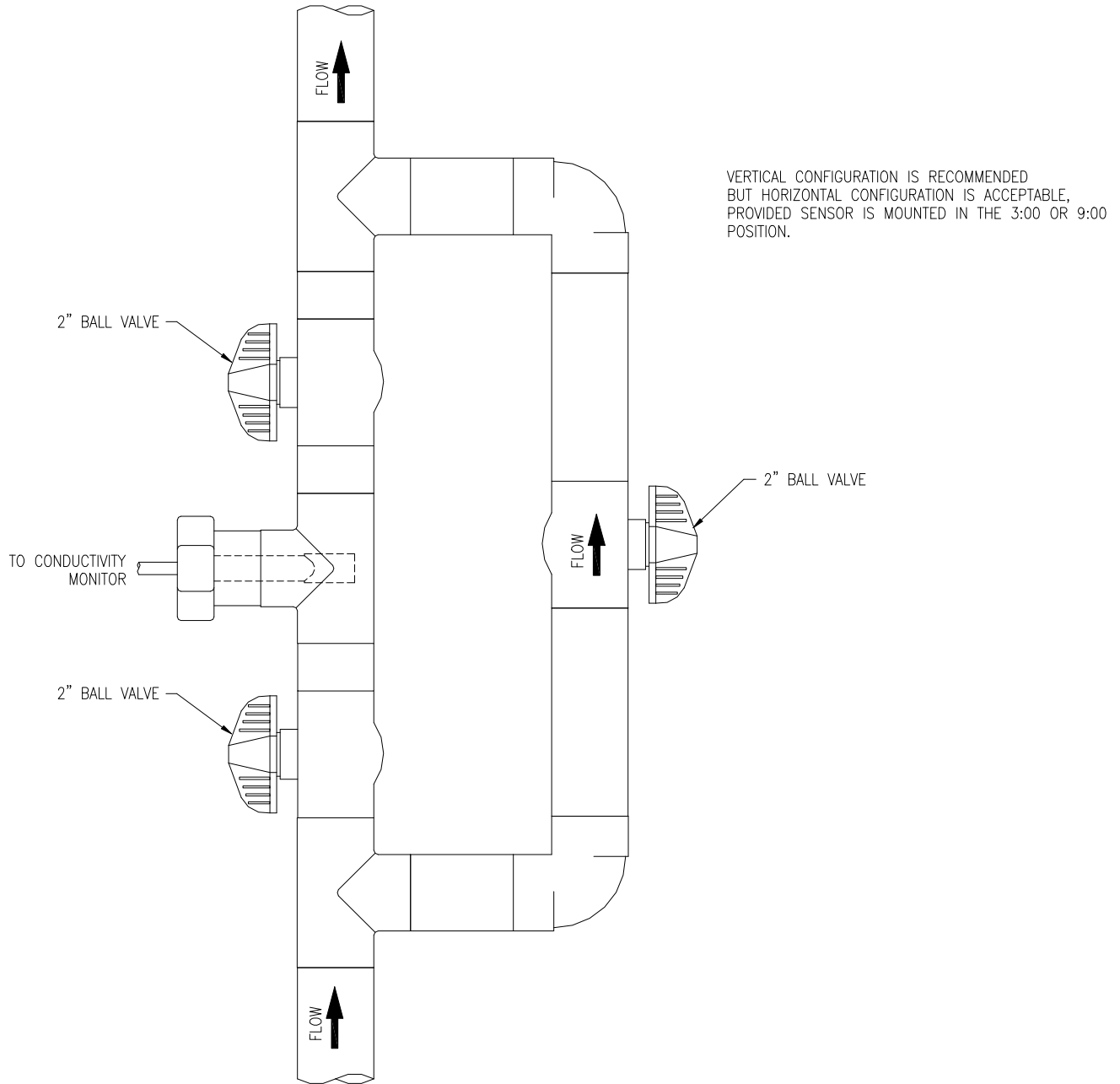


**CONDUCTIVITY SENSOR - 2" FLOW TEE ASSEMBLY**

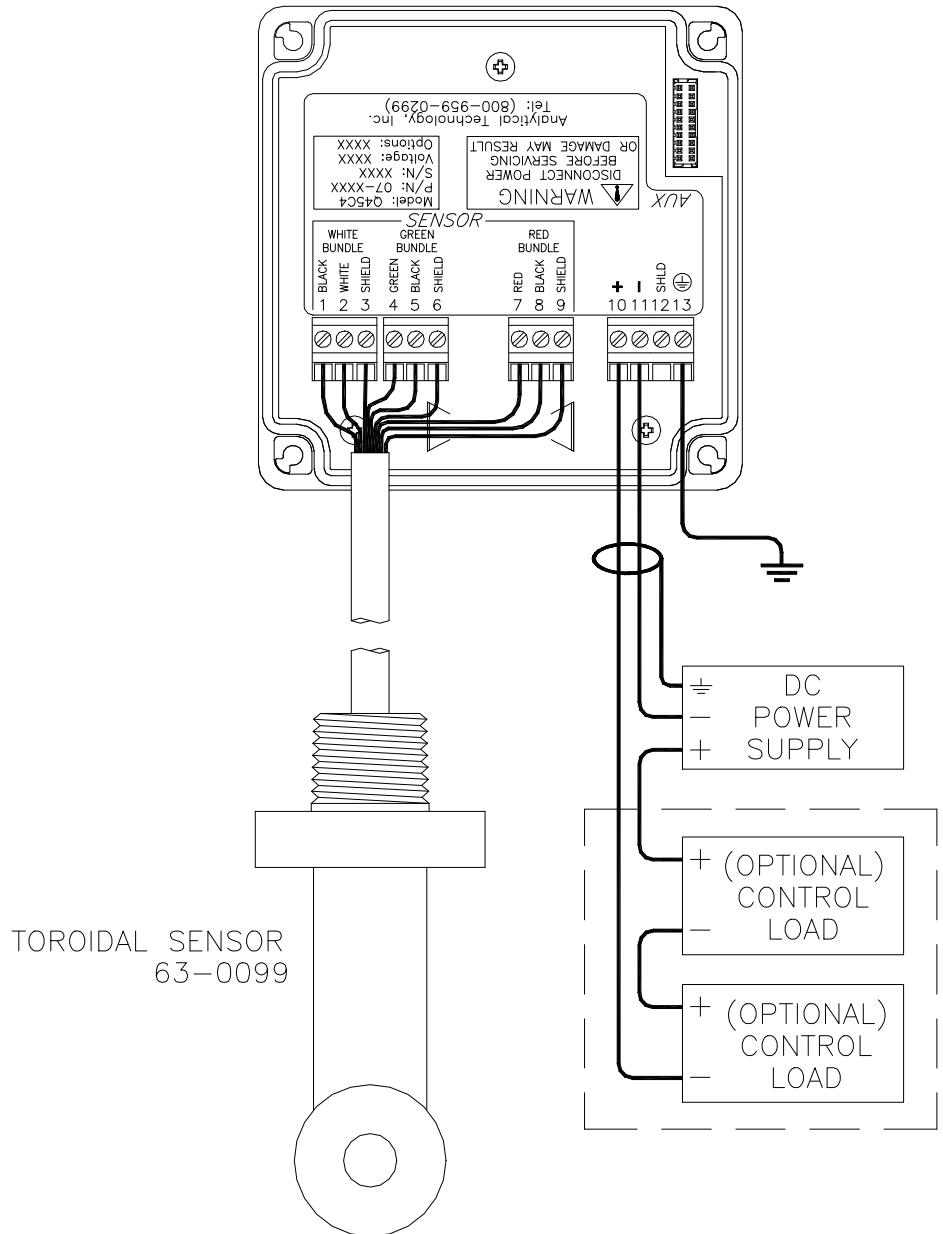


ATI-1038

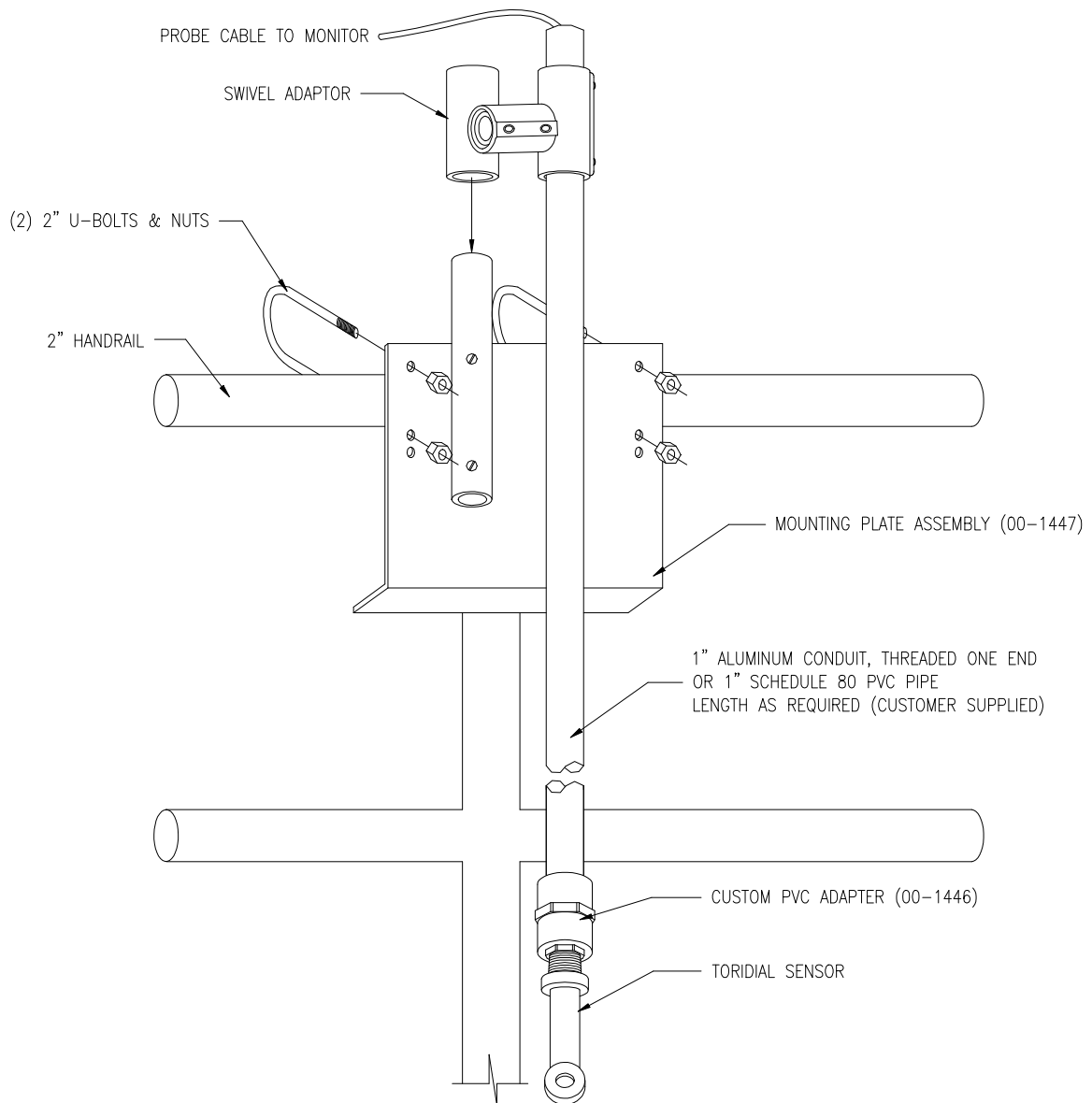
**FLOW "T" RECOMMENDED PIPING**



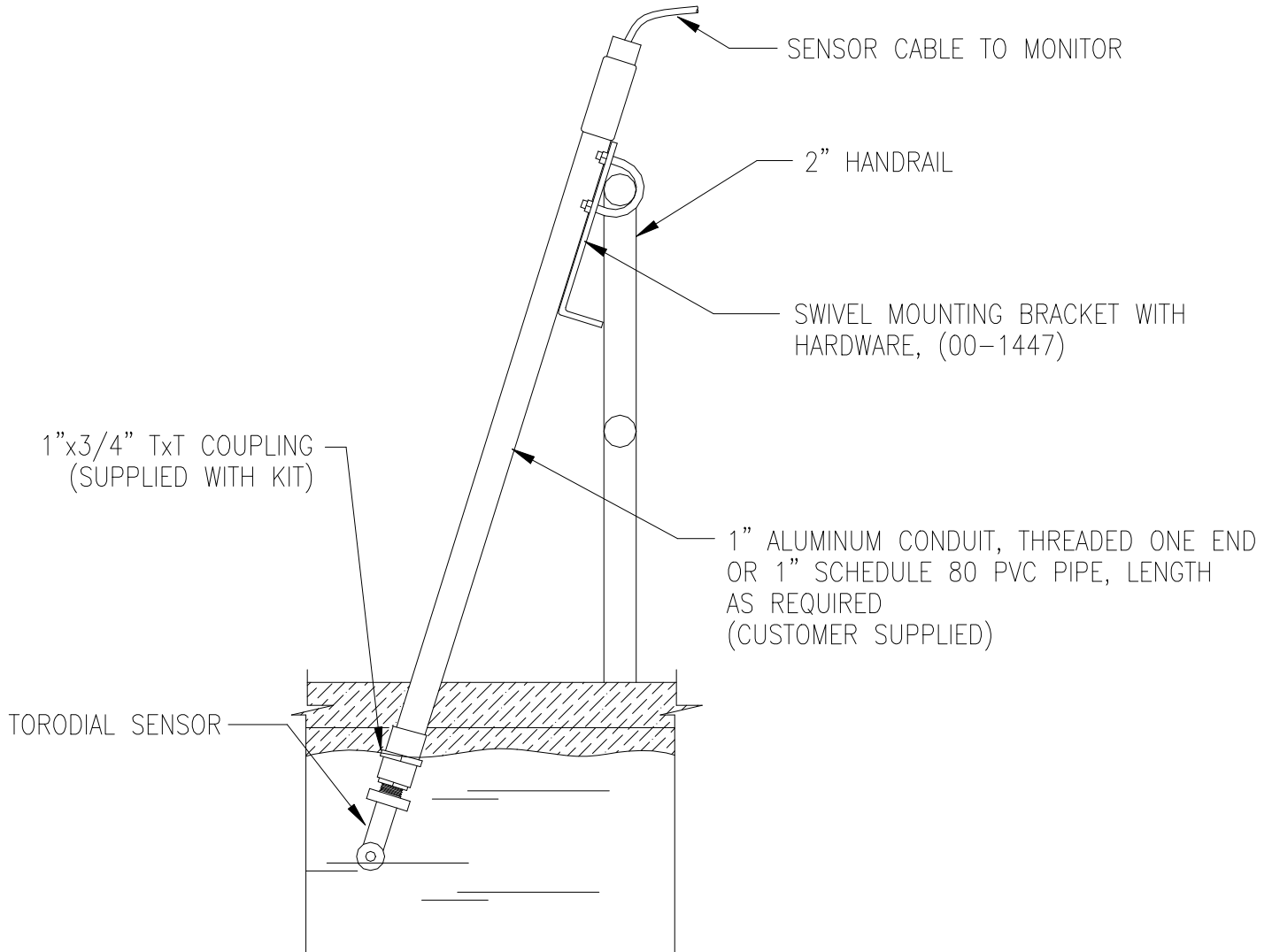
**ELECTRICAL CONNECTIONS - 2-WIRE TRANSMITTER**



- NOTES:** 1. Voltage between Terminals 10 & 11 MUST be between 16 & 35 VDC.  
 2. Earth ground into Terminal 13 is HIGHLY recommended. This connection can greatly improve stability in electrically noisy environments.

**SUBMERSIBLE SENSOR DIMENSIONS & INSTALLATION**

ATI-0762

**SUBMERSIBLE SENSOR DIMENSIONS & INSTALLATION**

ATI-0763