



Blancett[®]
Turbine Flow Meters

Turbine Flow Meter

Gas QuikSert[®]

DESCRIPTION

The Gas QuikSert turbine flow meter provides long service life by offering a durable construction design composed of stainless steel and tungsten carbide shaft and bearings. The unique wafer style design allows for quick installation and easily fits between two flanges. Gas QuikSert is fully compatible with all Blancett flow monitors, K-factor scalars, and intelligent converters. The Gas QuikSert is compatible with most instruments, PLCs and computers.

FEATURES AND BENEFITS

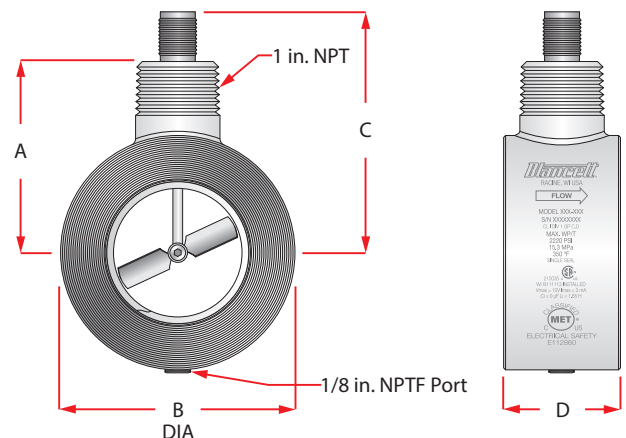
- Consistent, reliable gas flow measurement.
- Wafer mounting configuration for limited space requirements.
- Light weight, balanced rotor provides instantaneous response to changes in flow.
- No mating flange design allows for quick and easy install.
- Superior material of construction for high performance in aggressive environments.

SPECIFICATIONS

Installation	Mounts between two 2 in. ANSI raised face flanges, ideally sized for 2 in. schedule 40 or 80 pipe; horizontal or vertical orientation
Working Pressure	Vacuum to 2220 psig (15.3 MPa) max.
Pressure Loss	3 in. of water column (7.5 mbar) max. (dry air)
Temperature	-40...330° F (-40...165° C)
Linearity	±2% of reading over the specified measuring range (see "Part Number Construction" on page 2)
System Uncertainty	±1% of reading when integrated with a properly configured Blancett flow monitor or signal conditioner
Repeatability	±0.5% of reading
Output Signal	100 mVpp minimum (with Blancett B111113 magnetic pickup installed)
Nominal K-Factor	See "Part Number Construction" on page 2
Materials of Construction	316/316L, 410 and 304 grade stainless steels, tungsten carbide
Certifications	
Intrinsically Safe	Class I Division 1 Groups C, D [Entity Parameters $V_{max} = 10V$, $I_{max} = 3 mA$, $C_i = 0 \mu F$ and $L_i = 1.65 H$ with Blancett B111113 magnetic pickup installed] for US and Canada. Complies with UL 913 and CSA 22.2 No. 157-92
Explosion-Proof	Class I Division 1 Groups C, D. complies with UL1203 and CSA C22.2 No. 30-M1986
Single Seal	Complies with ANSI/ISA 12.27.01-2003



DIMENSIONS



A	B	C	D
2.95 in. (74.90 mm)	3.61 in. (92.00 mm)	3.12 in. (79.20 mm)	1.80 in. (45.70 mm)



Badger Meter

TRB-DS-00284-EN-03 (September 2016)

Product Data Sheet

PART NUMBER CONSTRUCTION

Flow Meter*	Flow Rate		K-Factor Pulses/ft ³ (Pulses/m ³)	Repair Kit***	Hardware Kit
	ACFM**	MCFD			
B142-20L	7...70	10...100	365 (12,900)	B142-20L-KIT	B142-20-150KIT
B142-20M	14...210	20...300	190 (6710)	B142-20M-KIT	
B142-20H	35...350	50...500	85 (3000)	B142-20H-KIT	

*Does not include magnetic pickup. Order Blancett B111113 Low Drag Pickup

**At 0 psig (0 bar) and 60° F (15.6° C)

***Compatible with Cameron/NuFlo 2 in. wafer gas meter

Control. Manage. Optimize.

Blancett and QuikSert are registered trademarks of Badger Meter, Inc. Other trademarks appearing in this document are the property of their respective entities. Due to continuous research, product improvements and enhancements, Badger Meter reserves the right to change product or system specifications without notice, except to the extent an outstanding contractual obligation exists. © 2016 Badger Meter, Inc. All rights reserved.

www.badgermeter.com

The Americas | Badger Meter | 4545 West Brown Deer Rd | PO Box 245036 | Milwaukee, WI 53224-9536 | 800-876-3837 | 414-355-0400
 México | Badger Meter de las Americas, S.A. de C.V. | Pedro Luis Ogazón N°32 | Esq. Angelina N°24 | Colonia Guadalupe Inn | CP 01050 | México, DF | México | +52-55-5662-0882
 Europe, Middle East and Africa | Badger Meter Europa GmbH | Nurtinger Str 76 | 72639 Neuffen | Germany | +49-7025-9208-0
 Europe, Middle East Branch Office | Badger Meter Europe | PO Box 341442 | Dubai Silicon Oasis, Head Quarter Building, Wing C, Office #C209 | Dubai / UAE | +971-4-371 2503
 Czech Republic | Badger Meter Czech Republic s.r.o. | Mafikova 2082/26 | 621 00 Brno, Czech Republic | +420-5-41420411
 Slovakia | Badger Meter Slovakia s.r.o. | Racianska 109/B | 831 02 Bratislava, Slovakia | +421-2-44 63 83 01
 Asia Pacific | Badger Meter | 80 Marine Parade Rd | 21-06 Parkway Parade | Singapore 449269 | +65-63464836
 China | Badger Meter | 7-1202 | 99 Hangzhong Road | Minhang District | Shanghai | China 201101 | +86-21-5763 5412
 Switzerland | Badger Meter Swiss AG | Mittelholzerstrasse 8 | 3006 Bern | Switzerland | +41-31-932 01 11