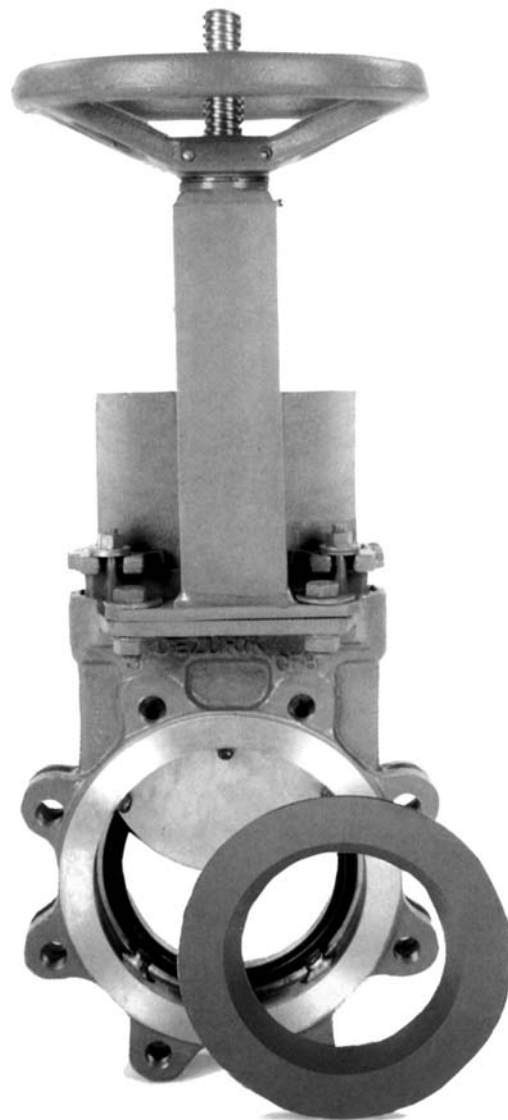




KNIFE GATE VALVE DEFLECTION CONES



Knife Gate Valves in Slurry and Dry Solids Service

DeZURIK Knife Gate Valves are specifically designed for tough, abrasive and/or corrosive services.

DeZURIK Knife Gate Valves are used in ash handling systems, cyclone feeds and discharge, pump box drains, mineral tailings distribution and pump isolation thickener underflows and dust collection systems.

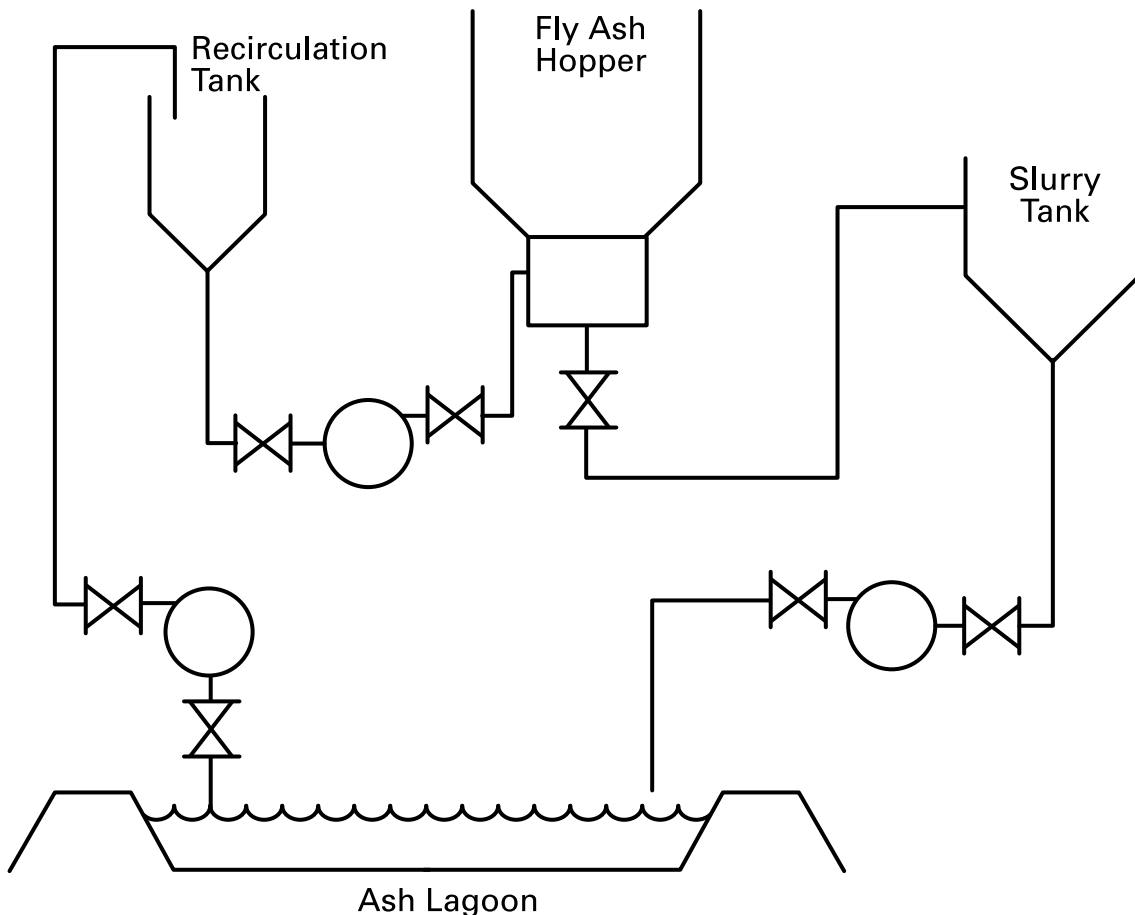
To prolong valve life in demanding services, deflection cones are available in a variety of materials including 316 stainless steel, cast ni-hard and hard faced steel.

DeZURIK recommends dry packing be specified for dry service applications.

In very fine slurry lines, especially if valve is installed horizontal, purge connections are recommended. Purge connections in Knife Gate Valves are used to flush the seat area and minimize the chance of material packing in this area. Purge connections can also be installed in the chest area to prevent gate restriction.

Knife gate valves should be fully opened or fully closed during operation. This prevents premature wear due to improper shut-off or from the gate remaining partially in the flow path. Cylinder operators are recommended. The maximum size cylinder or gear operator available for the Knife Gate Valve should be selected for slurry or dry solids service. On cylinder actuated Knife Gate Valves not mounted in a vertical plane, DeZURIK recommends supporting the cylinder to maintain piston rod and gate alignment.

Users should note that Knife Gate Valves cannot be closed on a non-flowing column of dry solids.

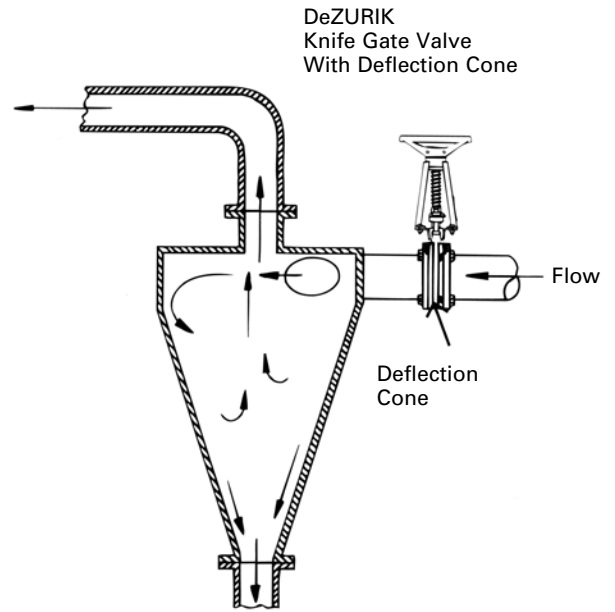


Ordering

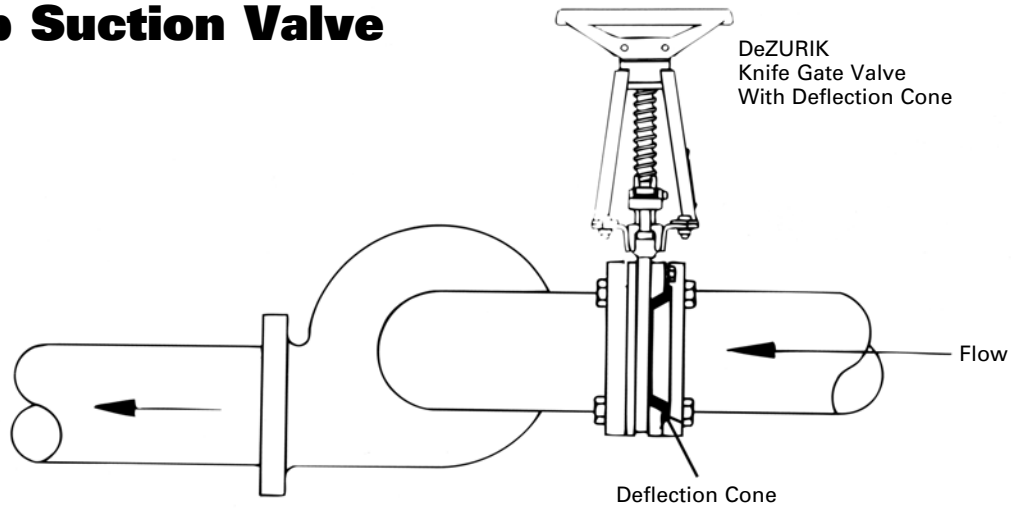
Order deflection cones as a separate item. Specify code from table followed by a dash and valve size.

Order Code		
ACC*DCFS, MXX026	=	Hard Faced Steel
ACC*DCS2	=	316 Stainless Steel
ACC*DCNR	=	Cast Ni-Hard

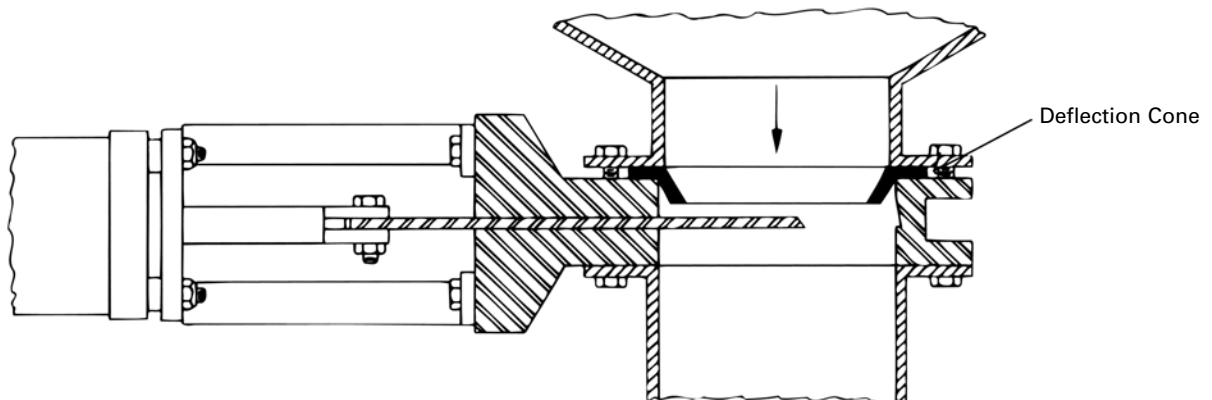
Cyclone Isolation Valves



Pump Suction Valve



Dry Solids Storage Bin or Thickener Underflow Valve



***NOTE:** Deflection cone can be eliminated when valve is installed with seat upstream on some dry solids service. Contact DeZURIK for assistance.

Sales and Service

For information about our worldwide locations, approvals, certifications and local representative:

Web Site: www.dezurik.com E-Mail: info@dezurik.com



250 Riverside Ave. N. Sartell, Minnesota 56377 • Phone: 320-259-2000 • Fax: 320-259-2227

DeZURIK reserves the right to incorporate our latest design and material changes without notice or obligation. Design features, materials of construction and dimensional data, as described in this bulletin, are provided for your information only and should not be relied upon unless confirmed in writing by DeZURIK. Certified drawings are available upon request.