

## Features

- Ideal for valve automation for the oil and gas market
- Reliable, robust design with high flow performance
- Low temperature options
- NACE MR0175-2003 compliant
- Corrosion resistant - 316L Stainless Steel valve materials make it ideal for offshore and harsh environments
- Extensive manual and pneumatic options
- Rated for air, inert gas and natural gas
- SIL 3 Certified

## Construction

Valve Parts in Contact with Fluids	
Body	316L Stainless Steel
Spring	Cobalt Alloy
Seals	FKM (standard), Low Temp NBR (optional)
Spool	316L Stainless Steel

## Nominal Ambient Temperature Range

### Standard:

-4°F to 200°F (-20°C to 93°C)

### Low Temp Options:

Palm Button & Latching Options: -20°F to 200°F (-29°C to 93°C)

Pilot Options: -40°F to 200°F (-40°C to 93°C)

*Refer to Engineering Section for details.*



## Important

These valves are intended for use on clean dry air, inert gas, or natural gas filtered to 40 micron or better. The dew point of the media should be at least 10°C (18°F) below the minimum temperature to which any portion of the air, inert gas or sweet dry natural gas system could be exposed to prevent freezing. If lubricated air is used, the lubricants must be compatible with FKM and LT NBR elastomers. Instrument air in compliance with ANSI/ISA Standard 7.0.01-1996 exceeds the above requirements and is, therefore, an acceptable media for these valves.

## Approvals

SIL 3 Certified (3/8" and 1/2" pending)

*Refer to Engineering Section for details.*

**3/2•5/2**  
**SERIES**  
**362/562**



**How to order**

8 362 A 4 10 00 1 1 0 00

**Connection Type**

8 = NPT

**Voltage**

00 = Pilot or Manually Actuated

**Product Series**

362 = 3 way for Process Automation  
 562 = 4 way for Process Automation

**Solenoid Type/Orientation**

0 = None

Select version from Specification Tables on following pages.

(Configurator available at [www.asco.com](http://www.asco.com))

**Elastomer/Manual Override**

1 = FKM  
 3 = Low Temperature NBR

**Specifications English (Metric)**

Pipe Size (in)	Base Catalog Number ①		Function	Flow Cv (Kv)	Main Operating Pressure Differential psi (bar)		External Pilot Pressure psi (bar)		Product Weight lbs (kg)	Const. Ref.
	Stainless Steel	Brass			Min.	Max.	Min.	Max.		
<b>Normally Closed / Externally Piloted</b>										
1/4"	8362A108000	-	Pilot, Palm Button /Spring Return	2.0 (1.7)	0	150 (10.3)	25 (1.8)	150 (10.3)	1.19 (0.54)	2
1/4"	8362A110000	-	Pilot With Latching Reset/Spring Return	2.0 (1.7)	0	150 (10.3)	25 (1.8)	150 (10.3)	1.23 (0.56)	3
1/4"	8362A112000	-	Pilot, Palm Button With Latching Reset/Spring Return	2.0 (1.7)	0	150 (10.3)	25 (1.8)	150 (10.3)	1.25 (0.57)	4
1/4"	8362A114000	-	Palm Button/Spring Return	2.0 (1.7)	0	150 (10.3)	-	-	1.19 (0.54)	5
1/4"	8362A107000	-	Pilot Operated/Spring Return	2.0 (1.7)	0	150 (10.3)	25 (1.8)	150 (10.3)	0.9 (0.41)	1
1/4"	8362A147000	-	Manual Lever Return, Latches In Energized Position	2.0 (1.7)	0	150 (10.3)	25 (1.8)	150 (10.3)	1.94 (0.88)	32
1/4"	8362A167000	-	Spring Return, Latches In Energized Position	2.0 (1.7)	0	150 (10.3)	25 (1.8)	150 (10.3)	1.94 (0.88)	32
1/4"	8362A187000	-	Spring Return, Latches In De-energized Position	2.0 (1.7)	0	150 (10.3)	25 (1.8)	150 (10.3)	1.94 (0.88)	32
3/8"	8362A207000	-	Pilot Operated/Spring Return	4.8 (4.1)	0	200 (13.8)	40 (2.8)	200 (13.8)	2.37 (1.07)	24
3/8"	-	8362AC07000	Pilot Operated/Spring Return	4.0 (3.4)	0	200 (13.8)	40 (2.8)	200 (13.8)	2.98 (1.35)	24
1/2"	8362A307000	-	Pilot Operated/Spring Return	5.6 (4.8)	0	200 (13.8)	40 (2.8)	200 (13.8)	2.30 (1.04)	24
1/2"	-	8362AD07000	Pilot Operated/Spring Return	5.0 (4.3)	0	200 (13.8)	40 (2.8)	200 (13.8)	2.87 (1.3)	24
3/4"	8362A407000	-	Pilot Operated/Spring Return	13.0 (11.2)	0	200 (13.8)	50 (3.4)	200 (13.8)	4.44 (9.78)	28
3/4"	-	8362AE07000	Pilot Operated/Spring Return	13.0 (11.2)	0	200 (13.8)	50 (3.4)	200 (13.8)	4.90 (10.80)	28
1"	8362A507000	-	Pilot Operated/Spring Return	15.5 (13.4)	0	200 (13.8)	50 (3.4)	200 (13.8)	4.31 (9.78)	28
1"	-	8362AF07000	Pilot Operated/Spring Return	15.5 (13.4)	0	200 (13.8)	50 (3.4)	200 (13.8)	4.71 (10.39)	28
<b>Normally Open / Externally Piloted</b>										
1/4"	8362A108001	-	Pilot, Palm Button /Spring Return	2.0 (1.7)	0	150 (10.3)	25 (1.8)	150 (10.3)	1.19 (0.54)	7
1/4"	8362A110001	-	Pilot With Latching Reset/Spring Return	2.0 (1.7)	0	150 (10.3)	25 (1.8)	150 (10.3)	1.23 (0.56)	8
1/4"	8362A112001	-	Pilot, Palm Button With Latching Reset/Spring Return	2.0 (1.7)	0	150 (10.3)	25 (1.8)	150 (10.3)	1.25 (0.57)	9
1/4"	8362A114001	-	Palm Button/Spring Return	2.0 (1.7)	0	150 (10.3)	-	-	1.19 (0.54)	10
1/4"	8362A107001	-	Pilot Operated/Spring Return	2.0 (1.7)	0	150 (10.3)	25 (1.8)	150 (10.3)	0.9 (0.41)	6
1/4"	8362A147001	-	Manual Lever Return, Latches In Energized Position	2.0 (1.7)	0	150 (10.3)	25 (1.8)	150 (10.3)	1.94 (0.88)	32
1/4"	8362A167001	-	Spring Return, Latches In Energized Position	2.0 (1.7)	0	150 (10.3)	25 (1.8)	150 (10.3)	1.94 (0.88)	32
1/4"	8362A187001	-	Spring Return, Latches In De-energized Position	2.0 (1.7)	0	150 (10.3)	25 (1.8)	150 (10.3)	1.94 (0.88)	32
3/8"	8362A207001	-	Pilot Operated/Spring Return	4.8 (4.1)	0	200 (13.8)	40 (2.8)	200 (13.8)	2.37 (1.07)	24
3/8"	-	8362AC07001	Pilot Operated/Spring Return	4.0 (3.4)	0	200 (13.8)	40 (2.8)	200 (13.8)	2.98 (1.35)	24
1/2"	8362A307001	-	Pilot Operated/Spring Return	5.6 (4.8)	0	200 (13.8)	40 (2.8)	200 (13.8)	2.30 (1.04)	24
1/2"	-	8362AD07001	Pilot Operated/Spring Return	5.0 (4.3)	0	200 (13.8)	40 (2.8)	200 (13.8)	2.87 (1.3)	24
3/4"	8362A407001	-	Pilot Operated/Spring Return	13.0 (11.2)	0	200 (13.8)	50 (3.4)	200 (13.8)	4.44 (9.78)	28
3/4"	-	8362AE07001	Pilot Operated/Spring Return	13.0 (11.2)	0	200 (13.8)	50 (3.4)	200 (13.8)	4.90 (10.80)	28
1"	8362A507001	-	Pilot Operated/Spring Return	15.5 (13.4)	0	200 (13.8)	50 (3.4)	200 (13.8)	4.31 (9.78)	28
1"	-	8362AF07001	Pilot Operated/Spring Return	15.5 (13.4)	0	200 (13.8)	50 (3.4)	200 (13.8)	4.71 (10.39)	28
<b>Normally Closed Detent/Externally Piloted</b>										
1/4"	8362A109004	-	Pilot, Palm Button/Manual Return	2.0 (1.7)	0	150 (10.3)	25 (1.8)	150 (10.3)	1.36 (0.62)	11
1/4"	8362A115004	-	Palm Button/Manual Return	2.0 (1.7)	0	150 (10.3)	-	-	1.36 (0.62)	12
<b>Normally Open Detent/Externally Piloted</b>										
1/4"	8362A109005	-	Pilot, Palm Button/Manual Return	2.0 (1.7)	0	150 (10.3)	25 (1.8)	150 (10.3)	1.36 (0.62)	13
1/4"	8362A115005	-	Palm Button/Manual Return	2.0 (1.7)	0	150 (10.3)	-	-	1.36 (0.62)	14
<b>Detent / Externally Piloted</b>										
1/4"	8362A113007	-	Double Pilot	2.0 (1.7)	0	150 (10.3)	15 (1.0)	150 (10.3)	1.21 (0.55)	15

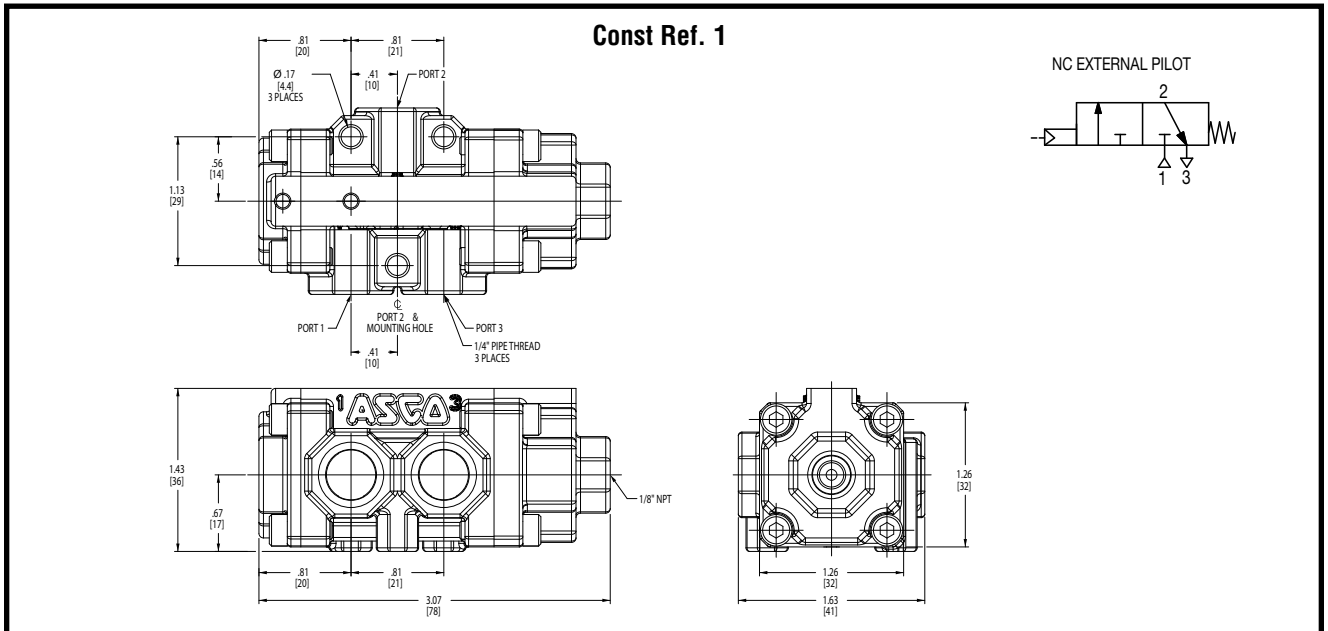
① Please refer to How to Order section to complete base catalog number selection.

### Specifications English (Metric)

Pipe Size (in)	Base Catalog Number ①		Function	Flow Cv (Kv)	Main Operating Pressure Differential psi (bar)		External Pilot Pressure psi (bar)		Product Weight lbs (kg)	Const. Ref.
	Stainless Steel	Brass			Min.	Max.	Min.	Max.		
<b>Externally Piloted</b>										
1/4"	8562A108003	-	Pilot, Palm Button/Spring Return	2.0 (1.7)	0	150 (10.3)	25 (1.8)	150 (10.3)	1.36 (0.62)	17
1/4"	8562A110003	-	Pilot With Latching Reset/Spring Return	2.0 (1.7)	0	150 (10.3)	25 (1.8)	150 (10.3)	1.43 (0.65)	18
1/4"	8562A112003	-	Pilot, Palm Button With Latching Reset/Spring Return	2.0 (1.7)	0	150 (10.3)	25 (1.8)	150 (10.3)	1.45 (0.66)	19
1/4"	8562A114007	-	Palm Button/Spring Return	2.0 (1.7)	0	150 (10.3)	-	-	1.38 (0.63)	20
1/4"	8562A107003	-	Pilot Operated/Spring Return	2.0 (1.7)	0	150 (10.3)	25 (1.8)	150 (10.3)	1.08 (0.49)	16
1/4"	8562A147003	-	Manual Lever Return, Latches In Energized Position	2.0 (1.7)	0	150 (10.3)	25 (1.8)	150 (10.3)	2.12 (0.96)	33
1/4"	8562A167003	-	Spring Return, Latches In Energized Position	2.0 (1.7)	0	150 (10.3)	25 (1.8)	150 (10.3)	2.12 (0.96)	33
1/4"	8562A187003	-	Spring Return, Latches In De-energized Position	2.0 (1.7)	0	150 (10.3)	25 (1.8)	150 (10.3)	2.12 (0.96)	33
3/8"	8562A207003	-	Pilot Operated/Spring Return	4.8 (4.1)	0	200 (13.8)	40 (2.8)	200 (13.8)	2.93 (1.33)	25
3/8"	-	8562AC07003	Pilot Operated/Spring Return	4.0 (3.4)	0	200 (13.8)	40 (2.8)	200 (13.8)	3.68 (1.67)	25
1/2"	8562A307003	-	Pilot Operated/Spring Return	5.6 (4.8)	0	200 (13.8)	40 (2.8)	200 (13.8)	2.82 (1.28)	25
1/2"	-	8562AD07003	Pilot Operated/Spring Return	5.0 (4.3)	0	200 (13.8)	40 (2.8)	200 (13.8)	3.50 (1.59)	25
3/4"	8562A407003	-	Pilot Operated/Spring Return	13.0 (11.2)	0	200 (13.8)	50 (3.4)	200 (13.8)	12.84 (5.82)	29
3/4"	-	8562AE07003	Pilot Operated/Spring Return	13.0 (11.2)	0	200 (13.8)	50 (3.4)	200 (13.8)	12.84 (5.82)	29
1"	8562A507003	-	Pilot Operated/Spring Return	15.5 (13.4)	0	200 (13.8)	50 (3.4)	200 (13.8)	12.33 (5.59)	29
1"	-	8562AF07003	Pilot Operated/Spring Return	15.5 (13.4)	0	200 (13.8)	50 (3.4)	200 (13.8)	13.73 (6.23)	29
3/8"	8362A213003	-	Double Pilot	4.8 (4.1)	0	200 (13.8)	20 (1.4)	200 (13.8)	2.46 (1.11)	26
3/8"	-	8362AC13003	Double Pilot	4.0 (3.4)	0	200 (13.8)	20 (1.4)	200 (13.8)	2.95 (1.34)	26
3/8"	8562A213003	-	Double Pilot	4.8 (4.1)	0	200 (13.8)	20 (1.4)	200 (13.8)	3.02 (1.37)	27
3/8"	-	8562AC13003	Double Pilot	4.0 (3.4)	0	200 (13.8)	20 (1.4)	200 (13.8)	3.66 (1.66)	27
1/2"	8362A313003	-	Double Pilot	5.6 (4.8)	0	200 (13.8)	20 (1.4)	200 (13.8)	2.39 (1.08)	26
1/2"	-	8362AD13003	Double Pilot	5.0 (4.3)	0	200 (13.8)	20 (1.4)	200 (13.8)	2.85 (1.29)	26
1/2"	8562A313003	-	Double Pilot	5.6 (4.8)	0	200 (13.8)	20 (1.4)	200 (13.8)	2.91 (1.32)	27
1/2"	-	8562AD13003	Double Pilot	5.0 (4.3)	0	200 (13.8)	20 (1.4)	200 (13.8)	3.48 (1.58)	27
3/4"	8362A413007	-	Double Pilot	13.0 (11.2)	0	200 (13.8)	20 (1.4)	200 (13.8)	9.91 (4.50)	30
3/4"	-	8362AE13003	Double Pilot	13.0 (11.2)	0	200 (13.8)	20 (1.4)	200 (13.8)	10.93 (4.96)	30
3/4"	8562A413003	-	Double Pilot	13.0 (11.2)	0	200 (13.8)	20 (1.4)	200 (13.8)	12.97 (5.88)	31
3/4"	-	8562AE13003	Double Pilot	13.0 (11.2)	0	200 (13.8)	20 (1.4)	200 (13.8)	14.54 (6.60)	31
1"	8362A513003	-	Double Pilot	15.5 (13.4)	0	200 (13.8)	20 (1.4)	200 (13.8)	9.62 (4.37)	30
1"	-	8362AF13003	Double Pilot	15.5 (13.4)	0	200 (13.8)	20 (1.4)	200 (13.8)	10.51 (4.77)	30
1"	8562A513003	-	Double Pilot	15.5 (13.4)	0	200 (13.8)	20 (1.4)	200 (13.8)	12.46 (5.65)	31
1"	-	8562AF13003	Double Pilot	15.5 (13.4)	0	200 (13.8)	20 (1.4)	200 (13.8)	13.86 (6.29)	31
<b>Detent / Externally Piloted</b>										
1/4"	8562A113007	-	Double Pilot	2.0 (1.7)	0	150 (10.3)	15 (1.0)	150 (10.3)	1.38 (0.63)	21
1/4"	8562A109007	-	Pilot, Palm Button/Manual Return	2.0 (1.7)	0	150 (10.3)	25 (1.8)	150 (10.3)	1.56 (0.71)	22
1/4"	8562A115007	-	Palm Button/Manual Return	2.0 (1.7)	0	150 (10.3)	-	-	1.52 (0.69)	23

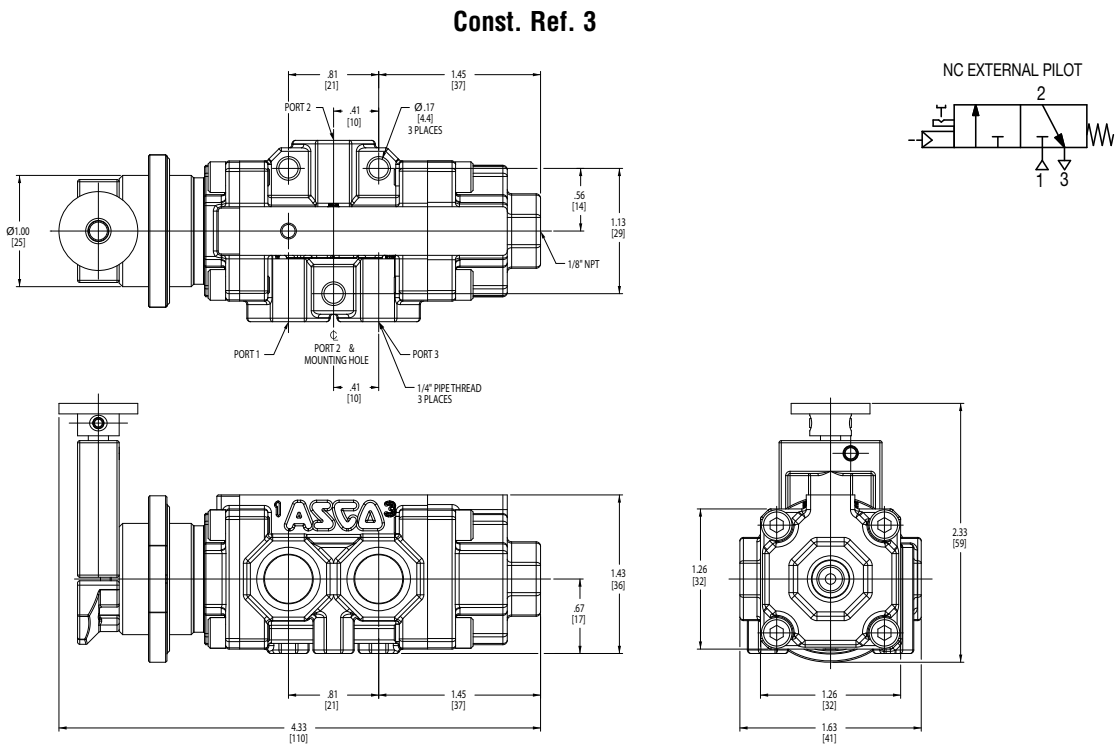
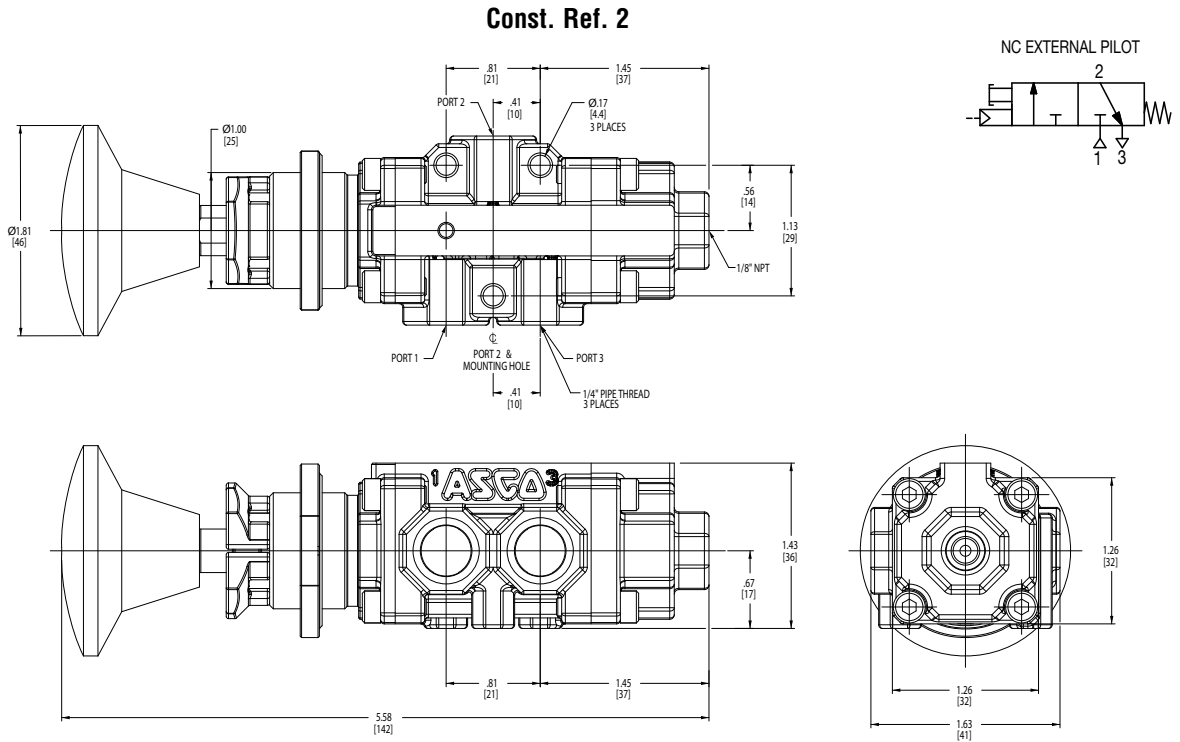
① Please refer to How to Order section to complete base catalog number selection.

### Dimensions: inches (mm)



SPECIAL SERVICE PILOT

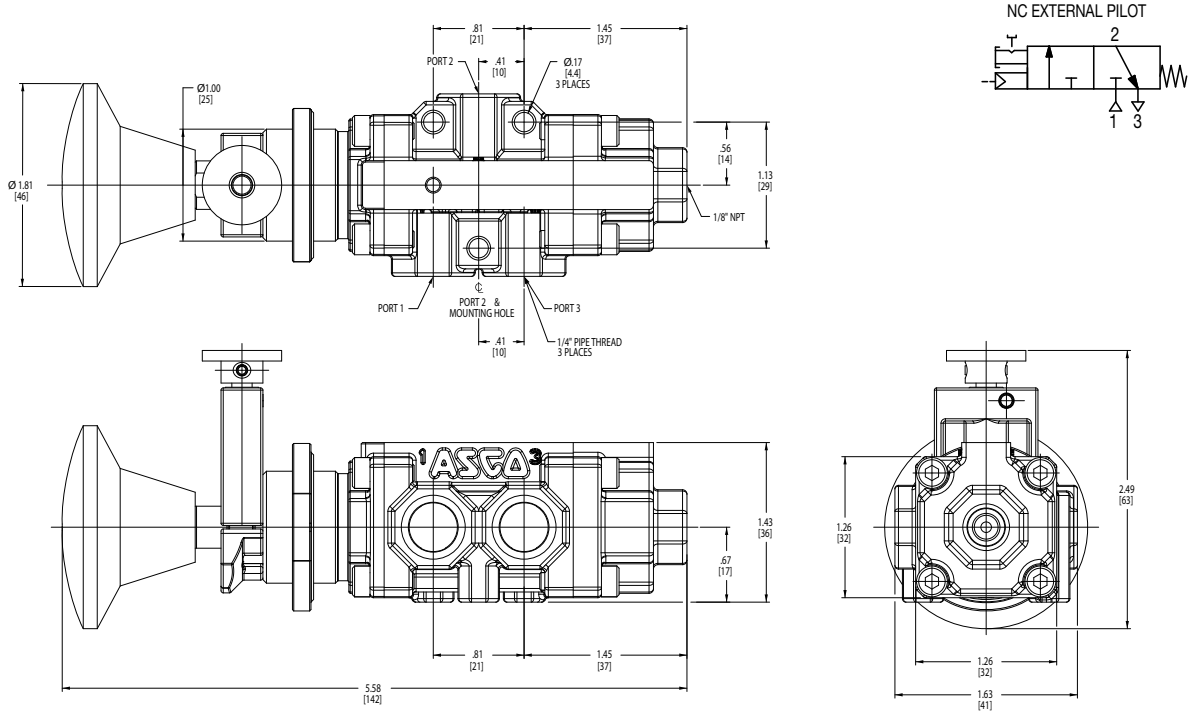
**Dimensions: inches (mm)**



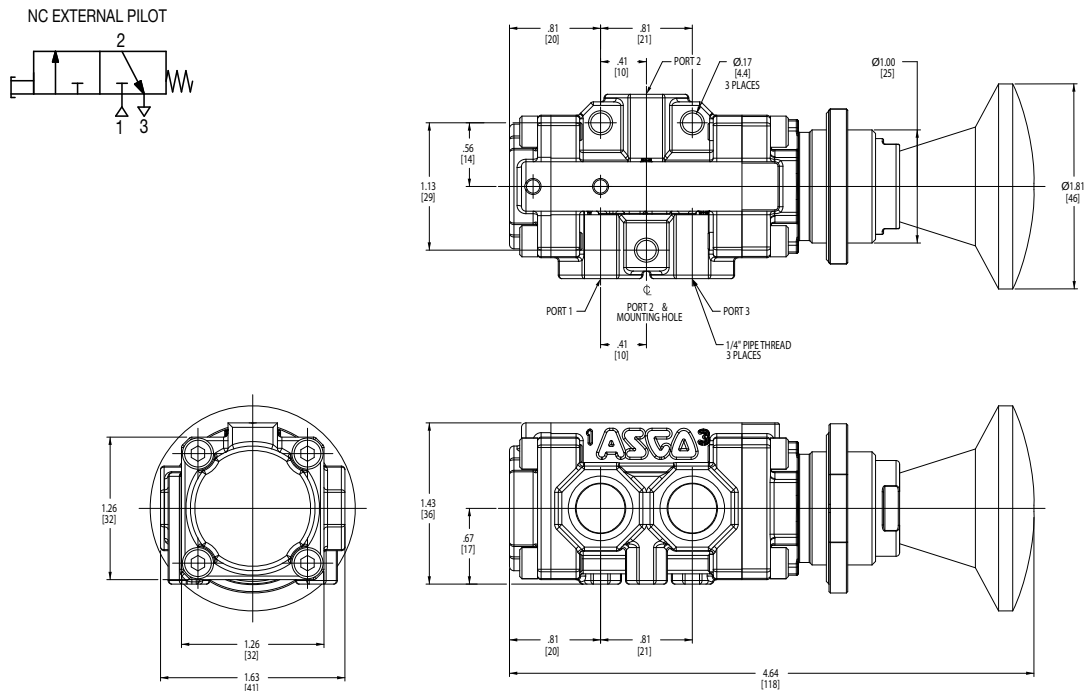
**SPECIAL SERVICE  
PILOT**

**Dimensions: inches (mm)**

**Const. Ref. 4**



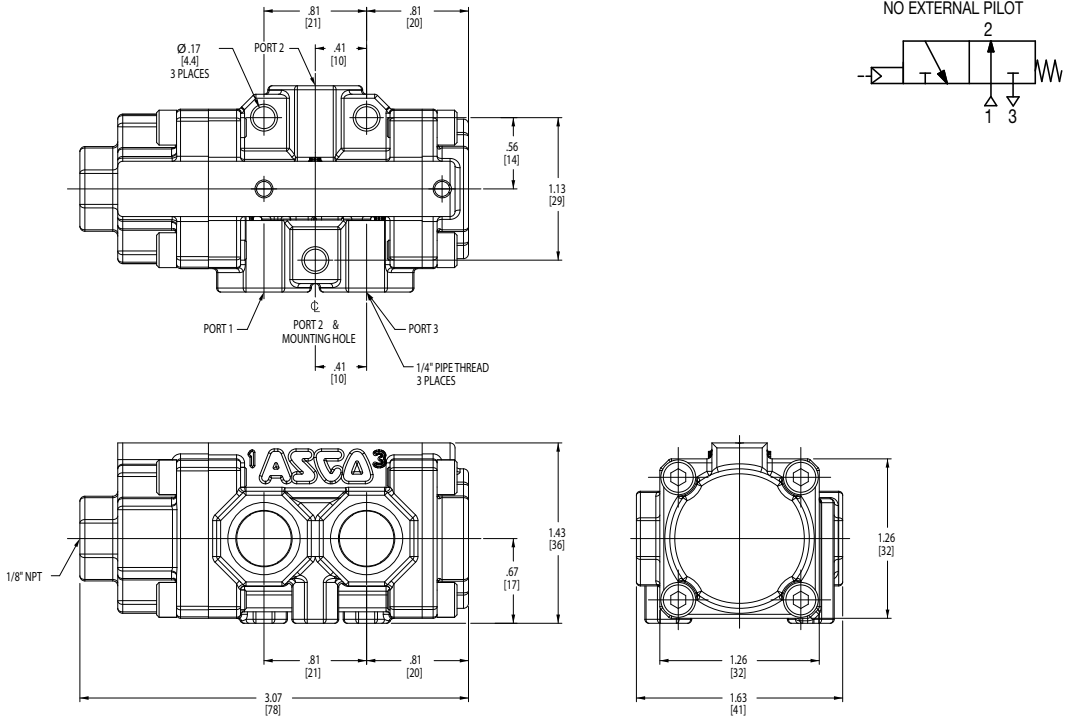
**Const. Ref. 5**



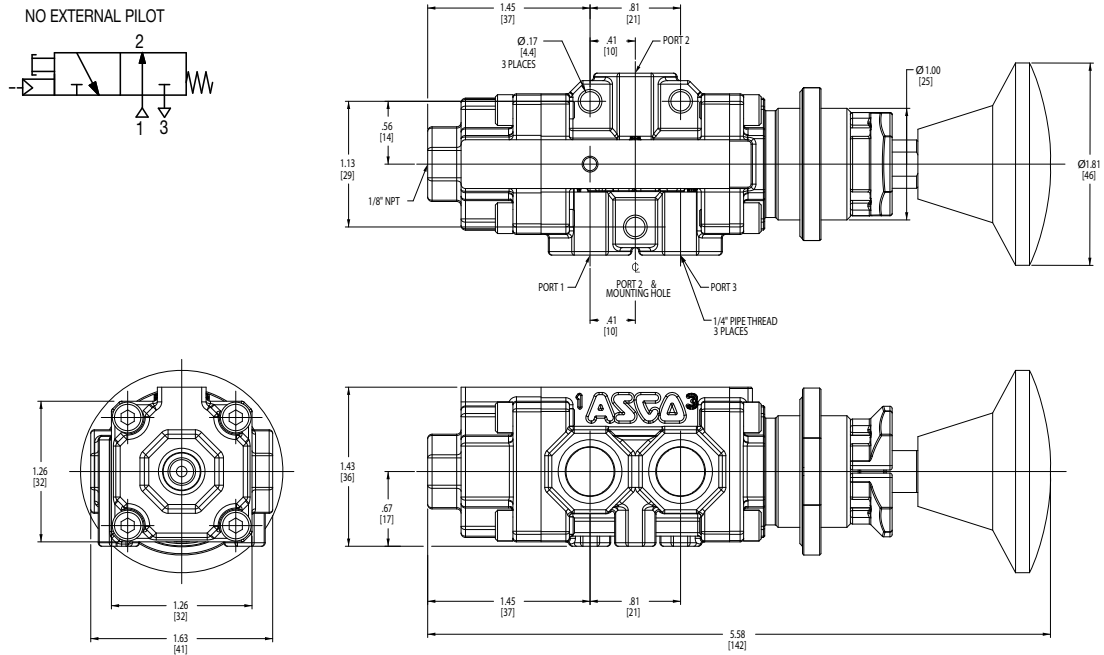
SPECIAL SERVICE  
PILOT

**Dimensions: inches (mm)**

**Const. Ref 6**

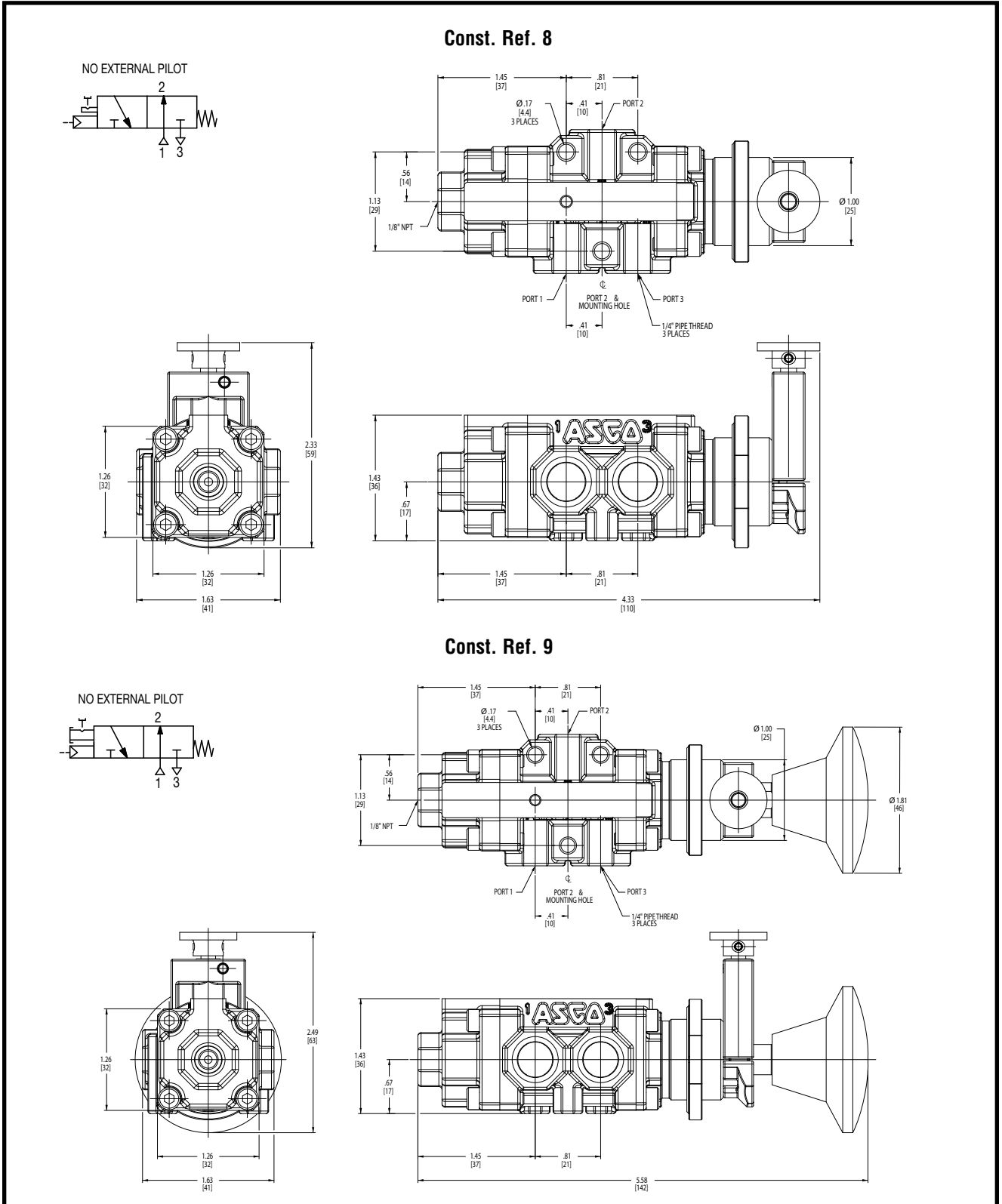


**Const. Ref. 7**



SPECIAL SERVICE  
PILOT

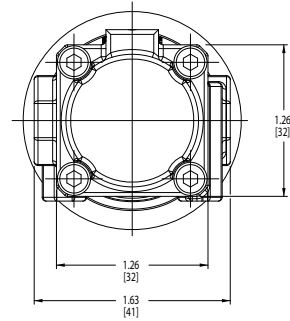
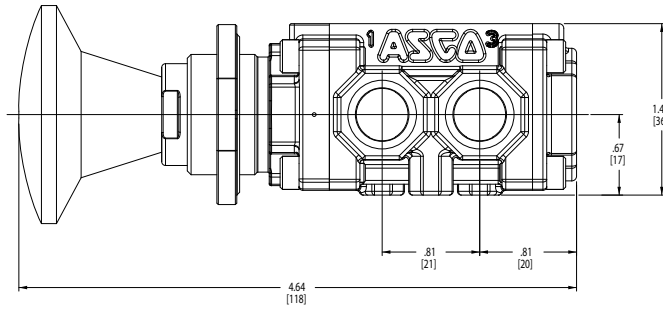
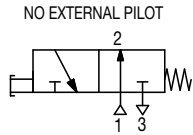
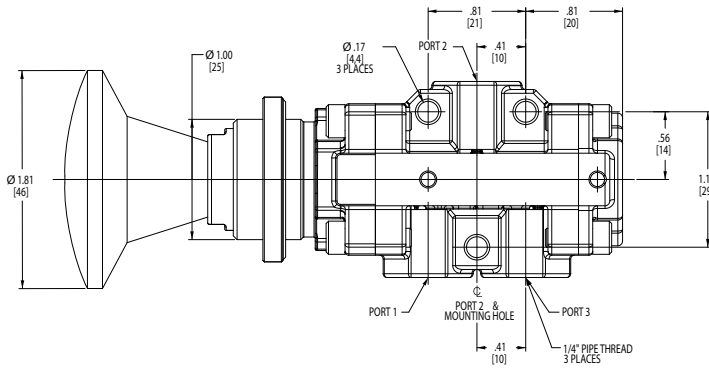
**Dimensions: inches (mm)**



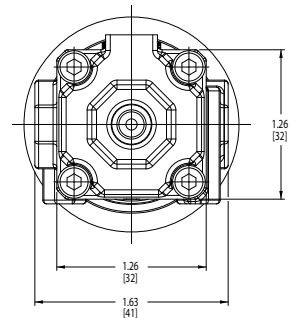
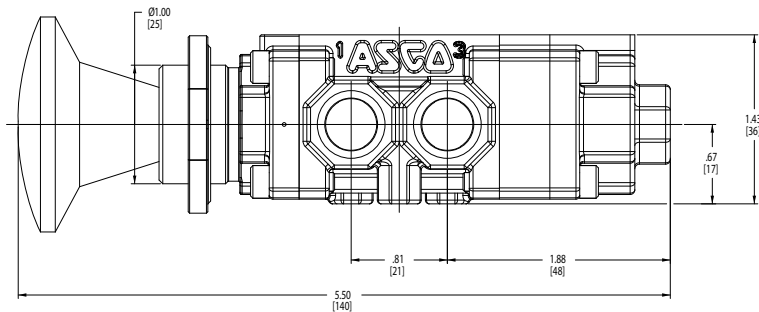
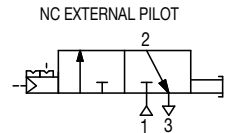
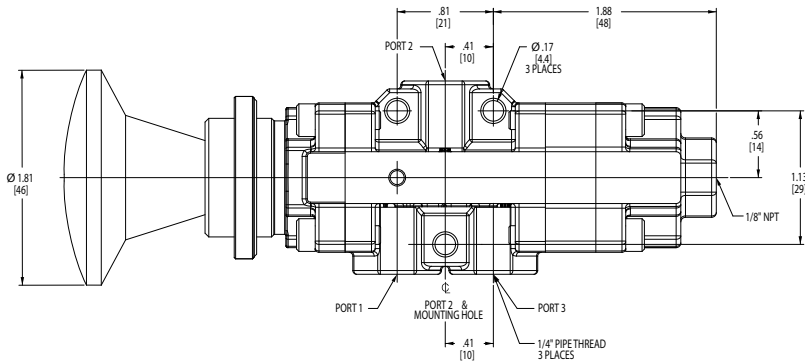
**SPECIAL SERVICE  
PILOT**

**Dimensions: inches (mm)**

**Const. Ref. 10**



**Const. Ref. 11**

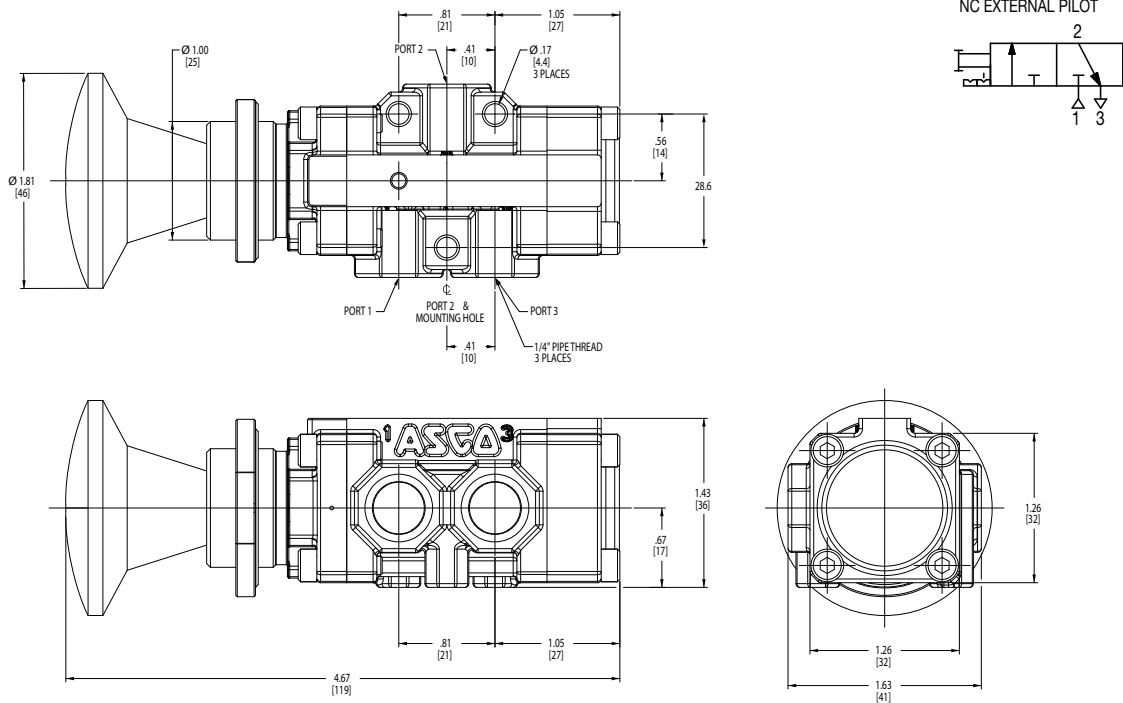


SPECIAL SERVICE  
 PILOT

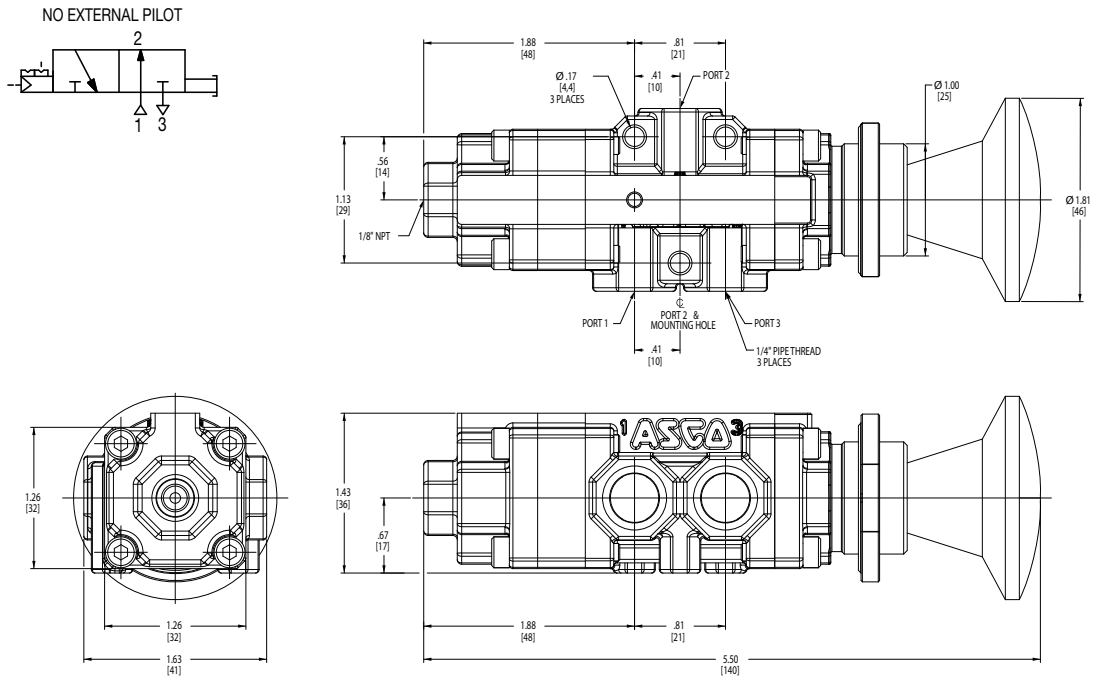


**Dimensions: inches (mm)**

**Const. Ref. 12**



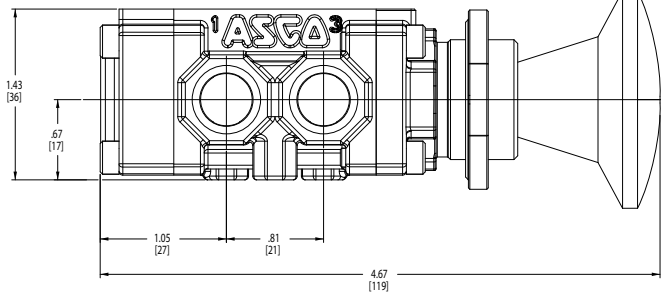
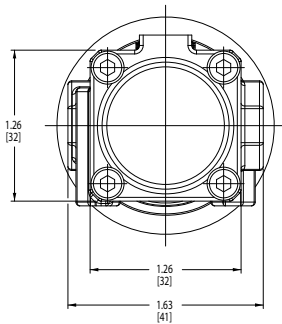
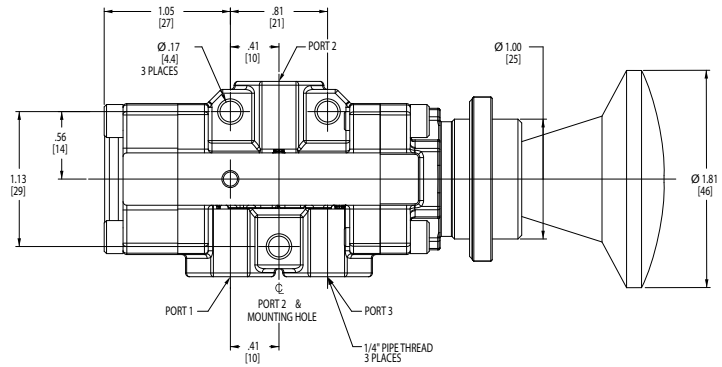
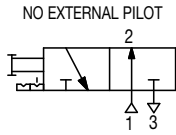
**Const. Ref. 13**



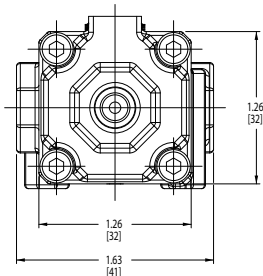
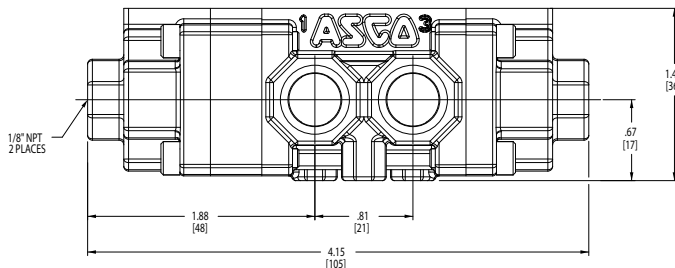
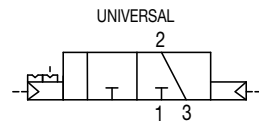
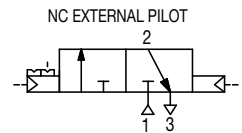
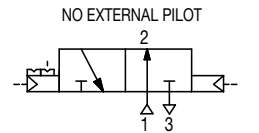
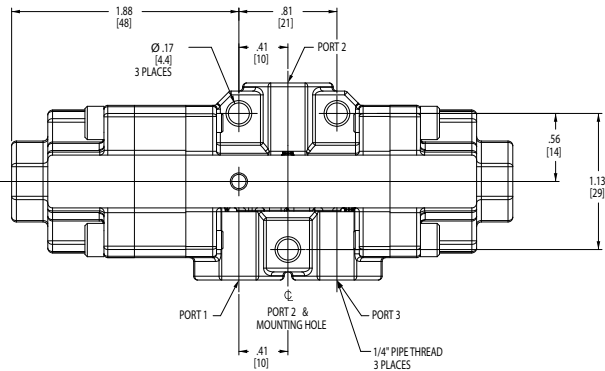
**SPECIAL SERVICE  
PILOT**

**Dimensions: inches (mm)**

**Const. Ref. 14**



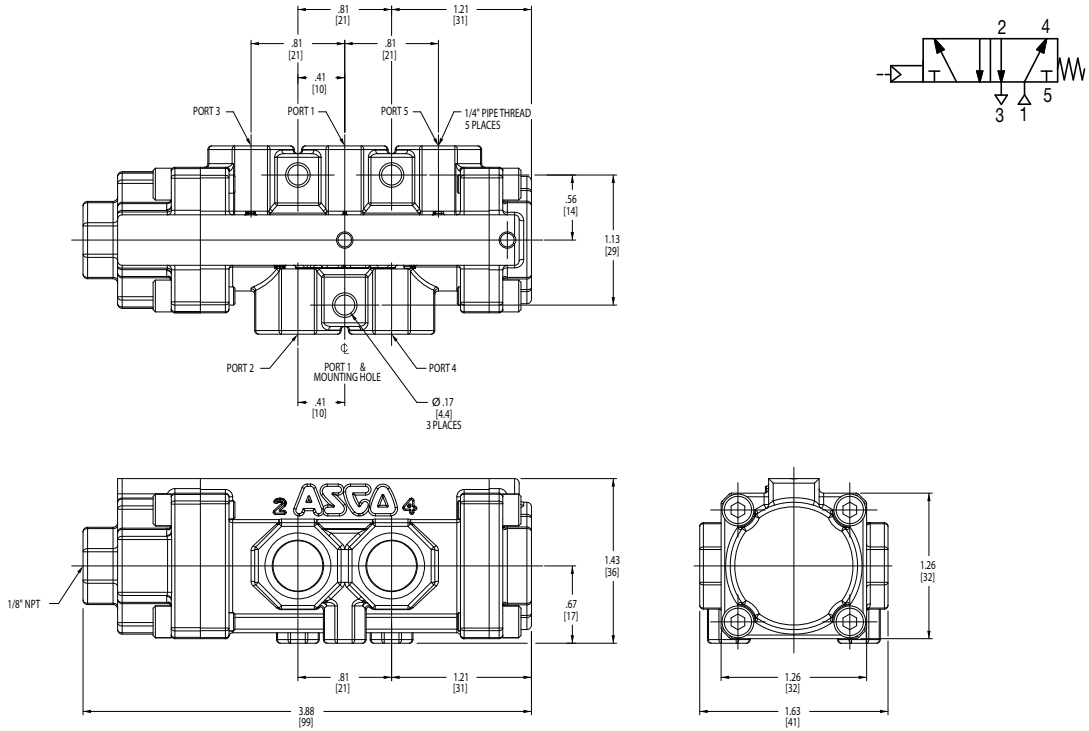
**Const. Ref. 15**



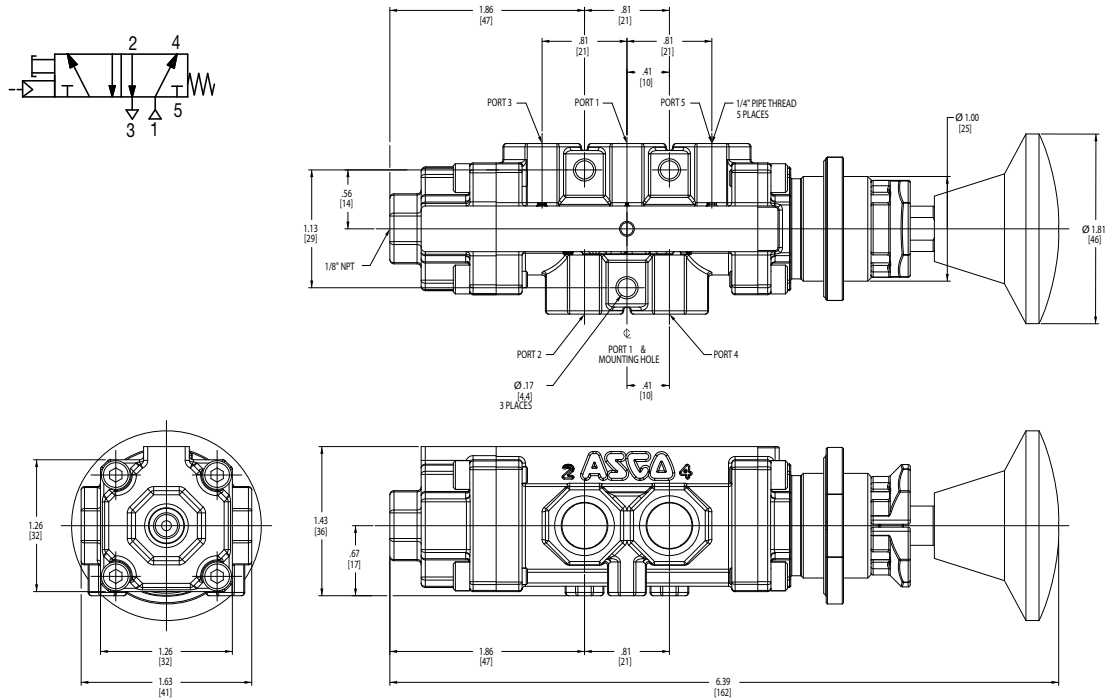
**SPECIAL SERVICE  
 PILOT**

**Dimensions: inches (mm)**

**Const. Ref. 16**

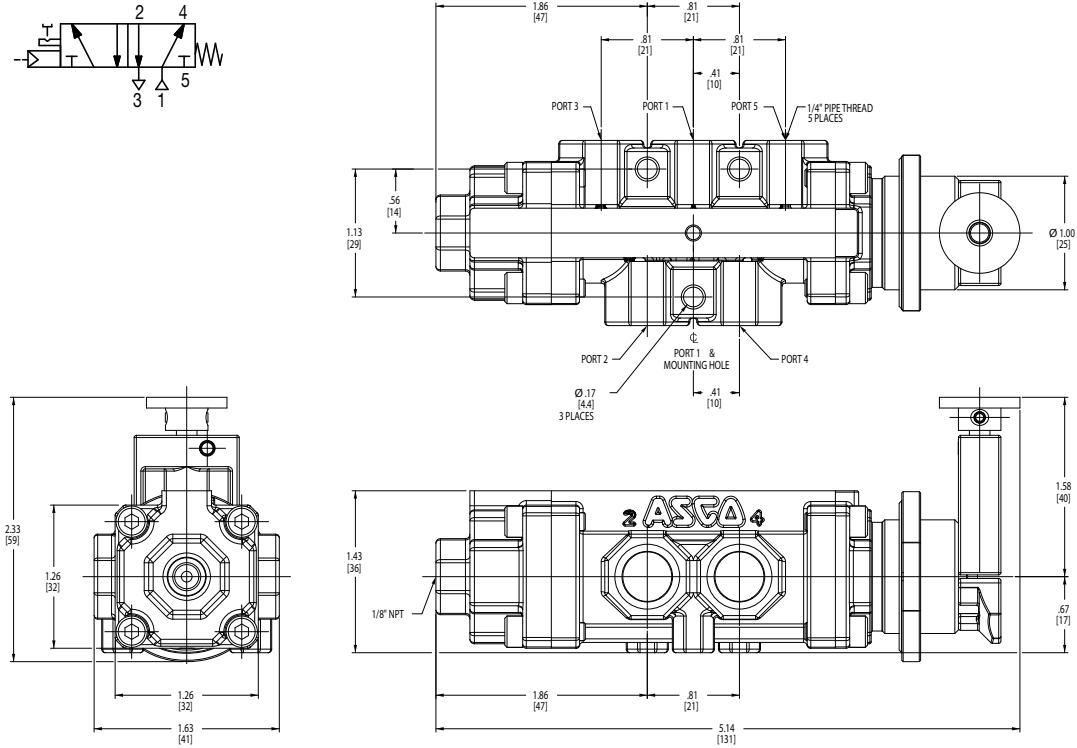


**Const. Ref. 17**

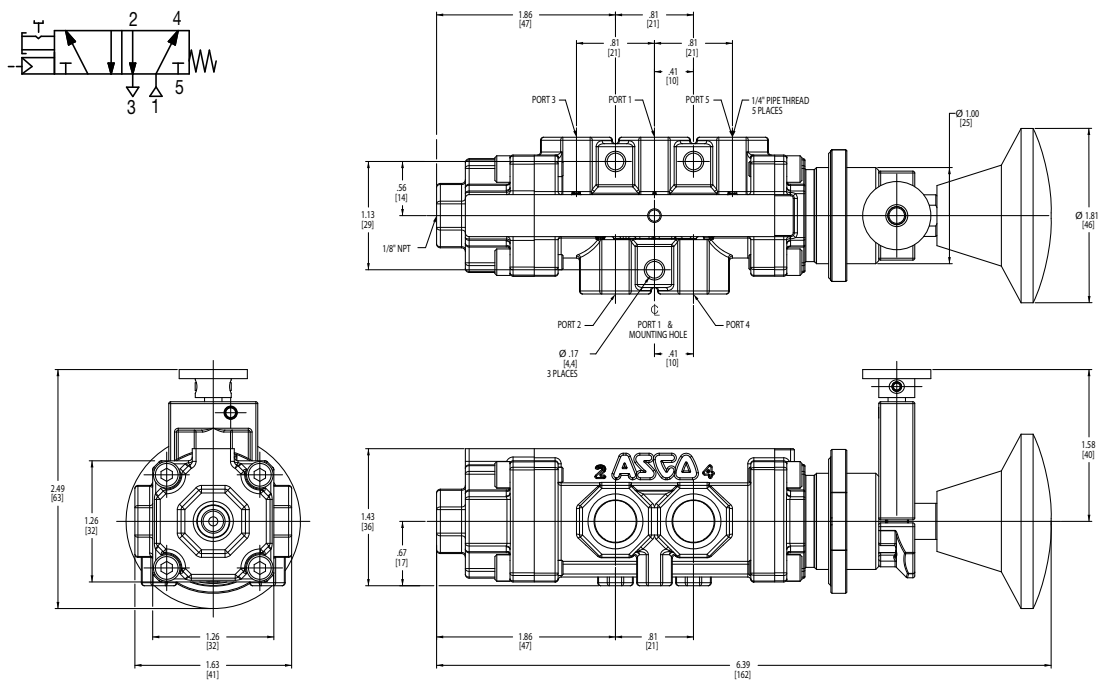


**Dimensions: inches (mm)**

**Const. Ref. 18**

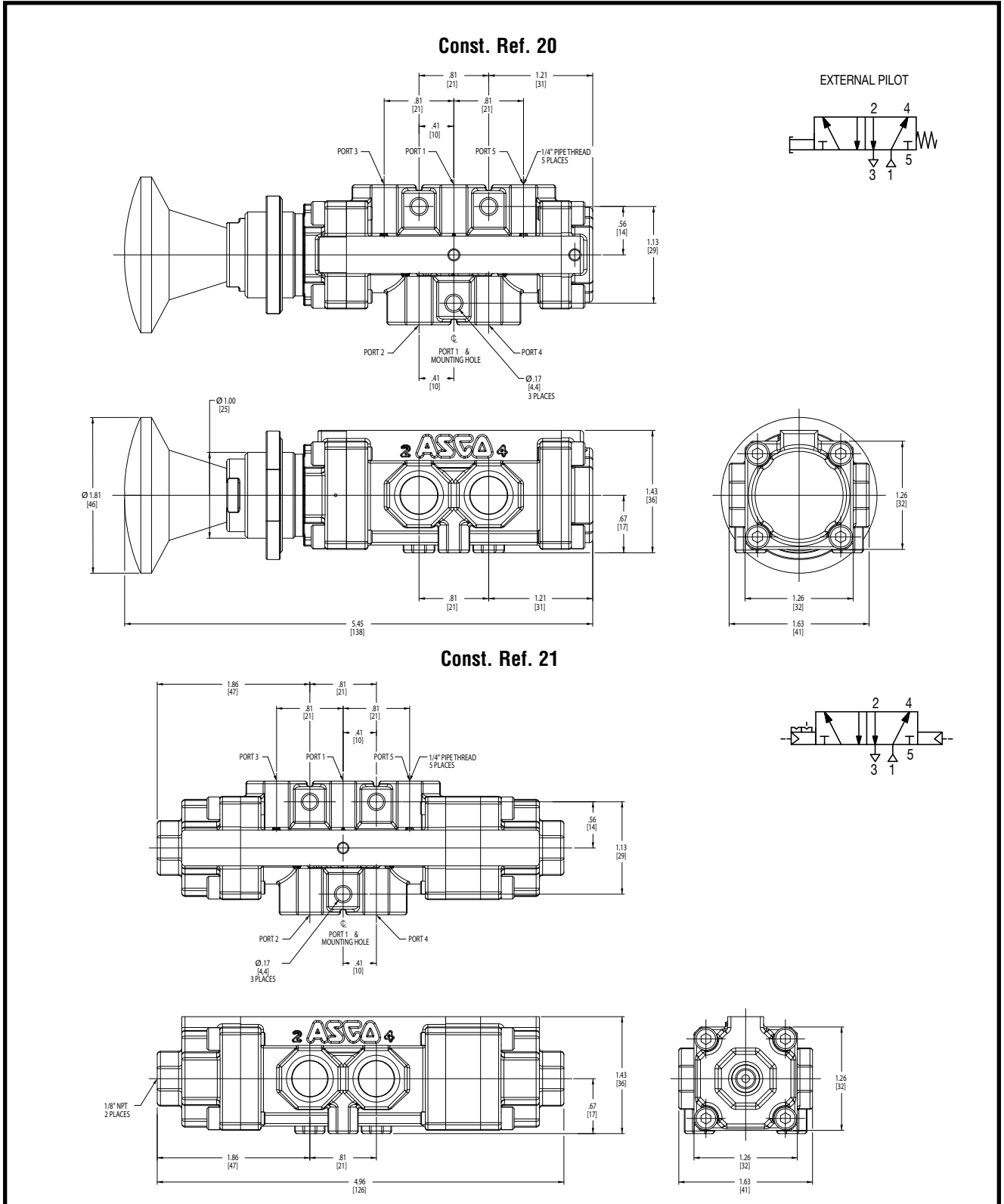


**Const. Ref. 19**



SPECIAL SERVICE  
 PILOT

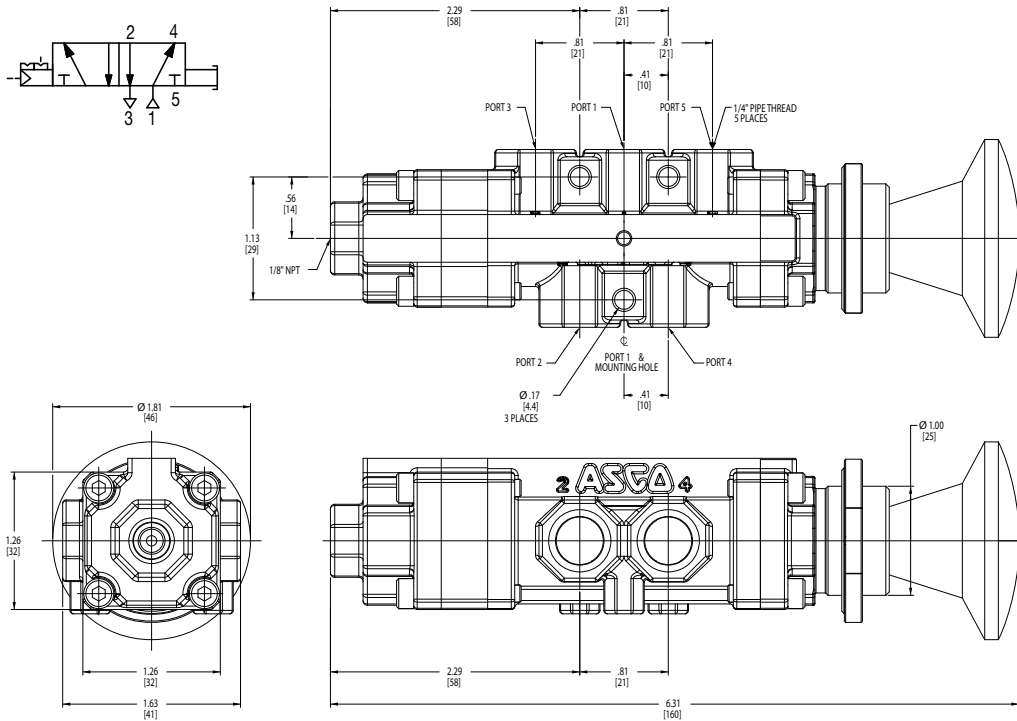
**Dimensions: inches (mm)**



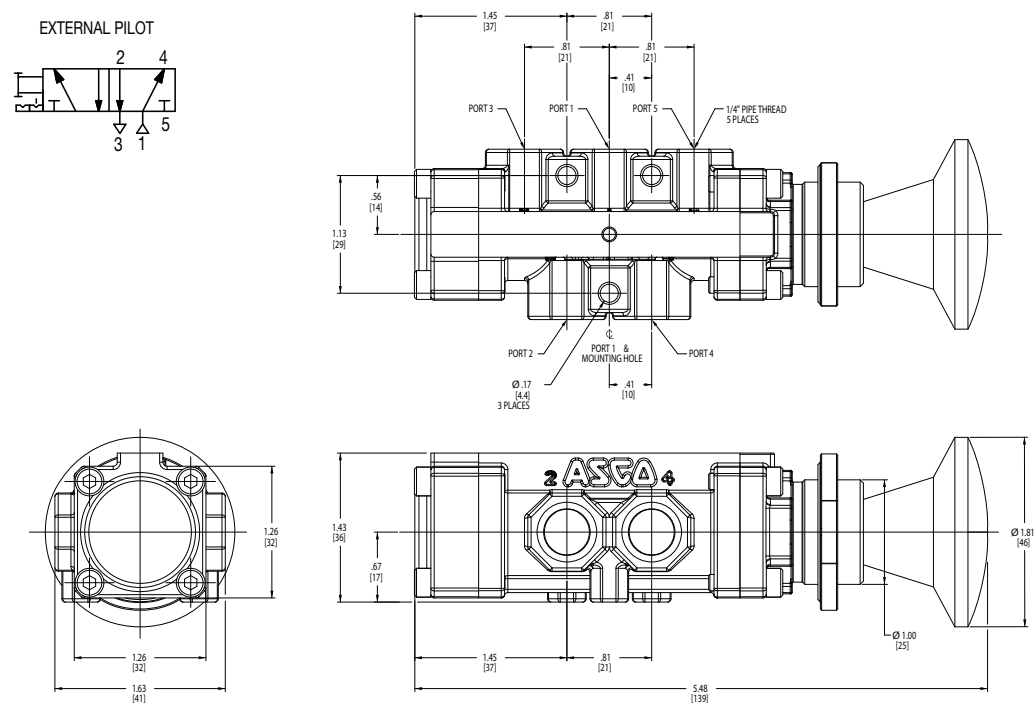
**SPECIAL SERVICE  
PILOT**

Dimensions: inches (mm)

Const. Ref. 22



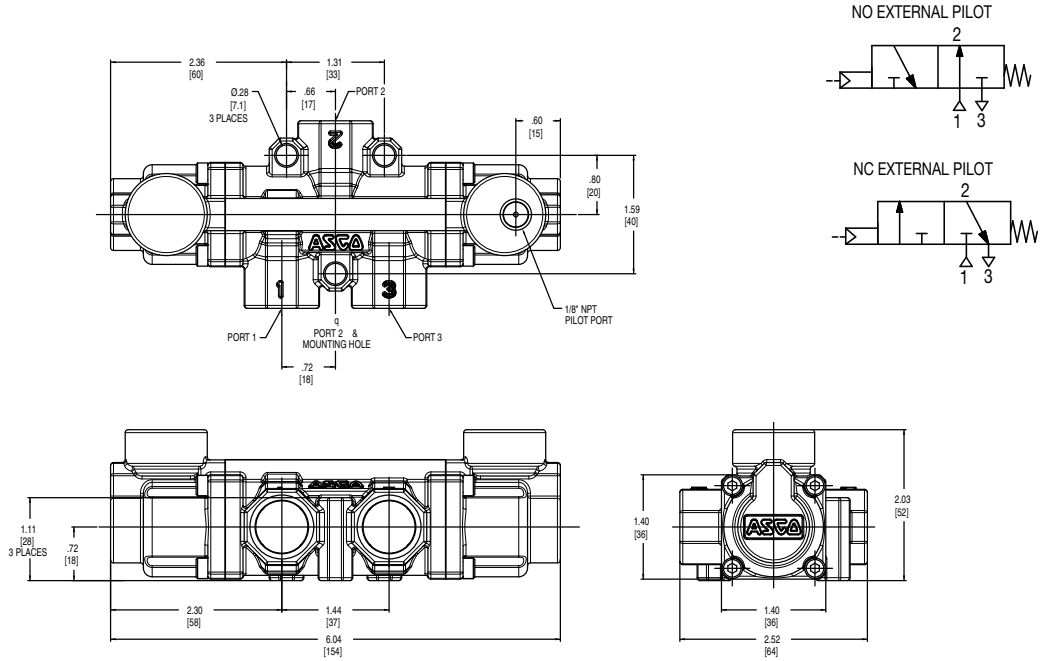
Const. Ref. 23



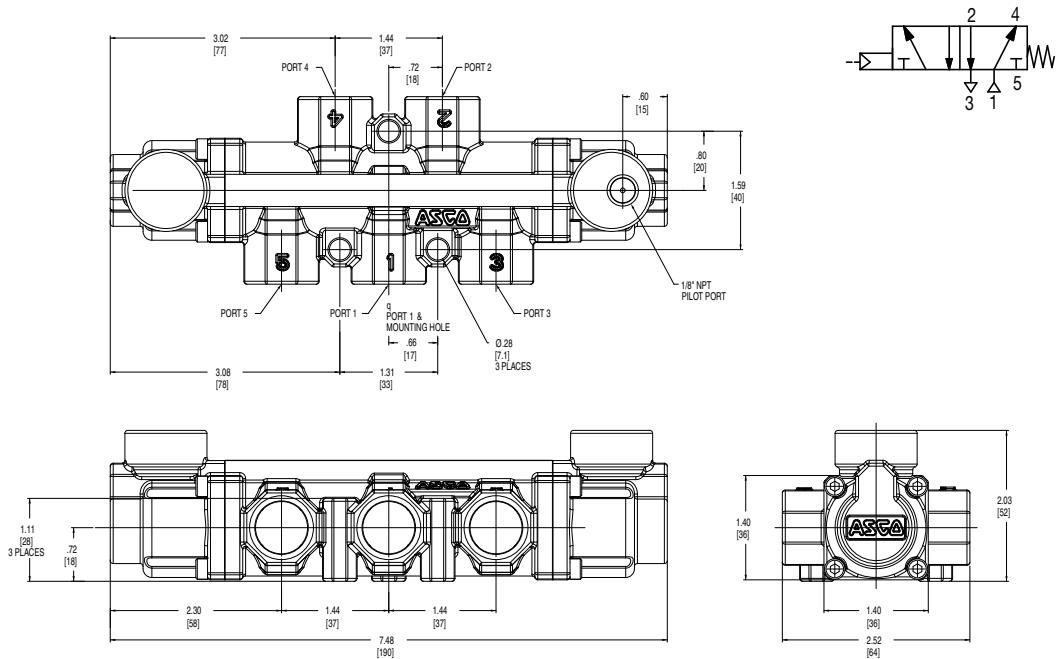
SPECIAL SERVICE  
 PILOT

### Dimensions: inches (mm)

#### Const. Ref. 24

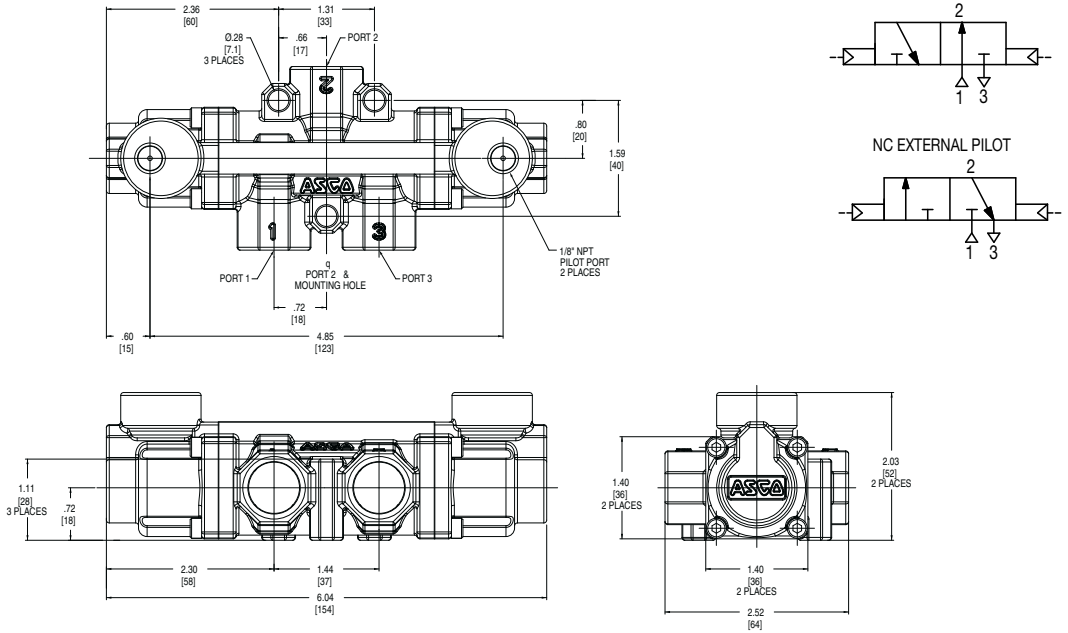


#### Const. Ref. 25

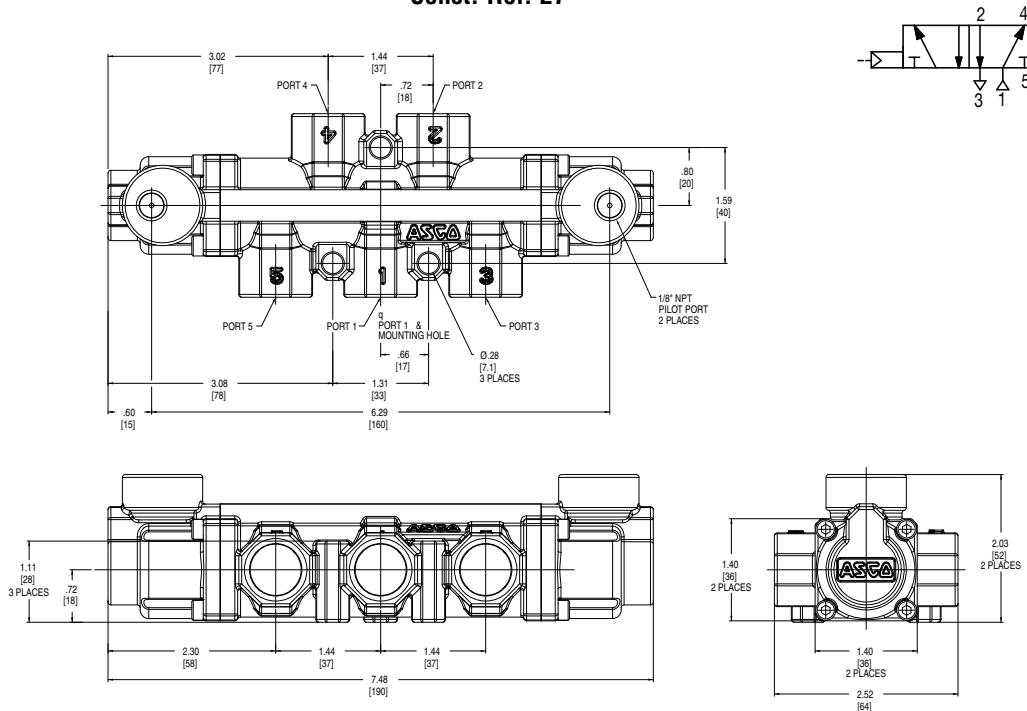


**Dimensions: inches (mm)**

**Const. Ref. 26**



**Const. Ref. 27**

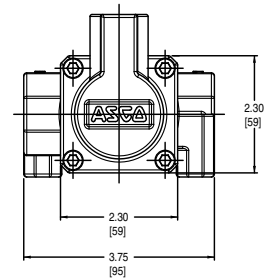
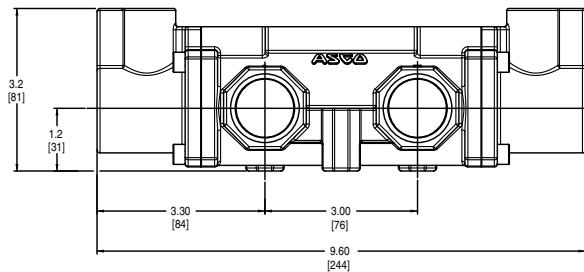
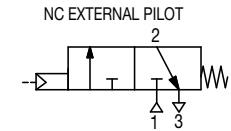
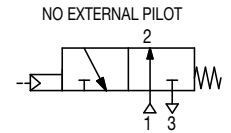
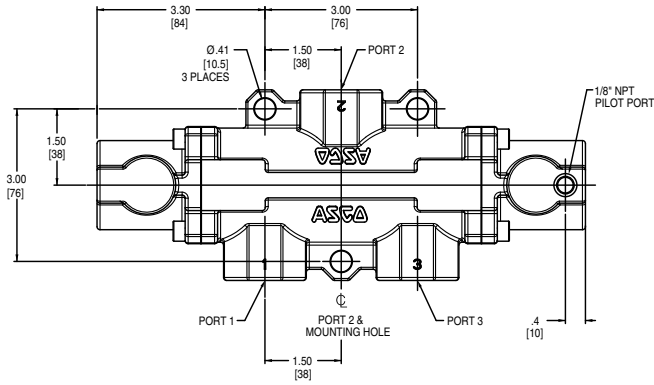


**SPECIAL SERVICE**  
**PILOT**

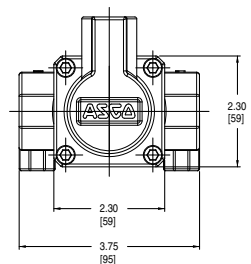
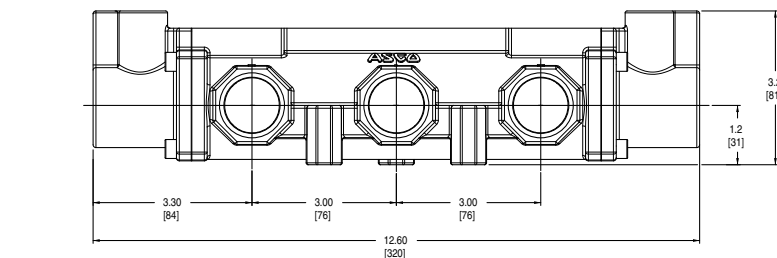
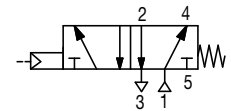
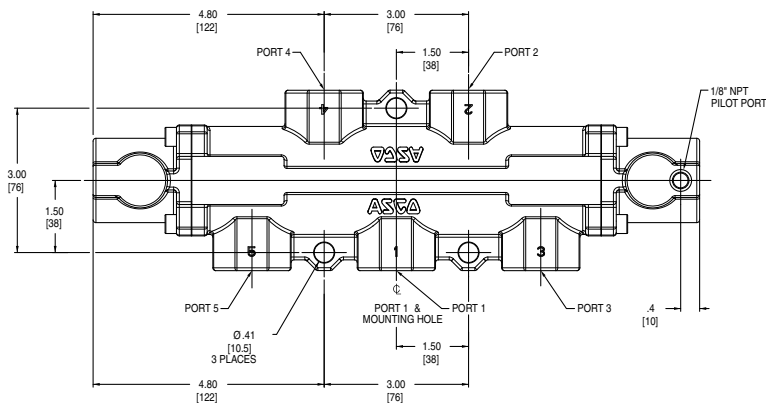


**Dimensions: inches (mm)**

**Const. Ref. 28**



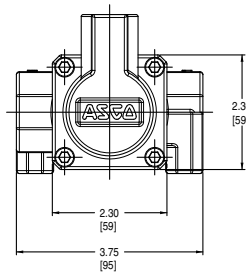
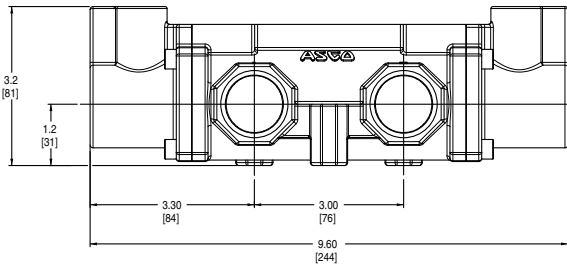
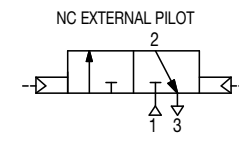
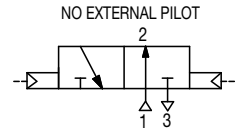
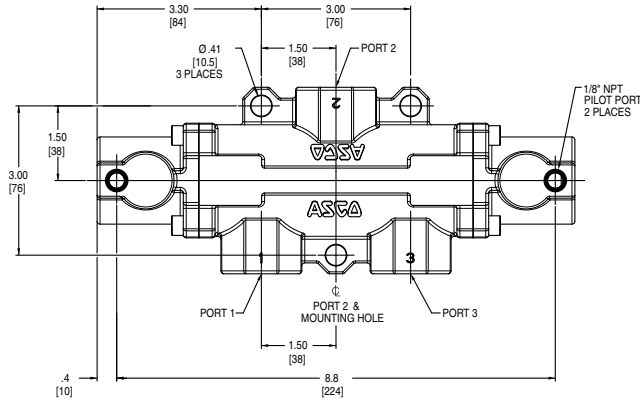
**Const. Ref. 29**



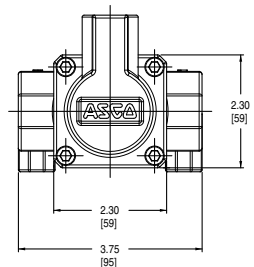
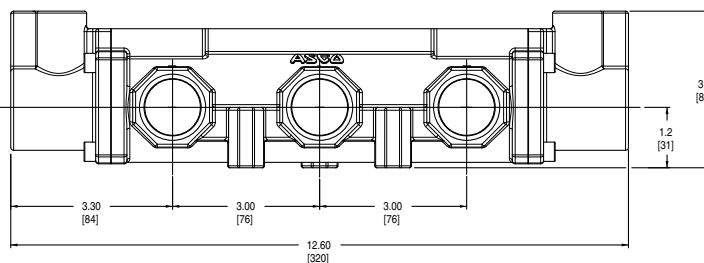
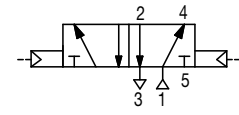
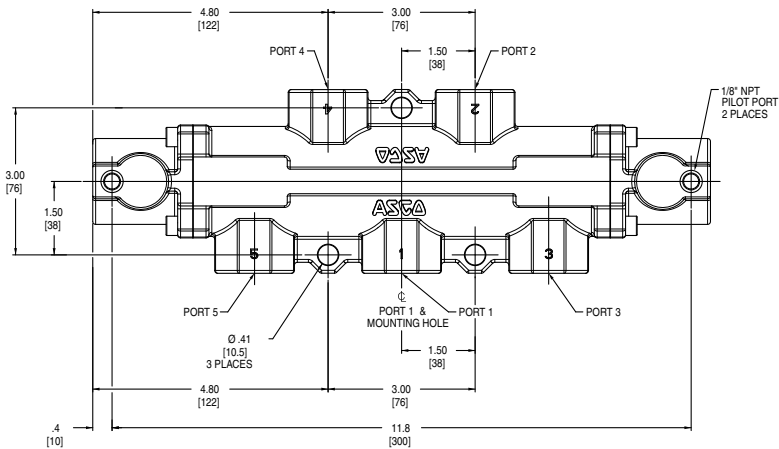
**SPECIAL SERVICE  
PILOT**

**Dimensions: inches (mm)**

**Const. Ref. 30**

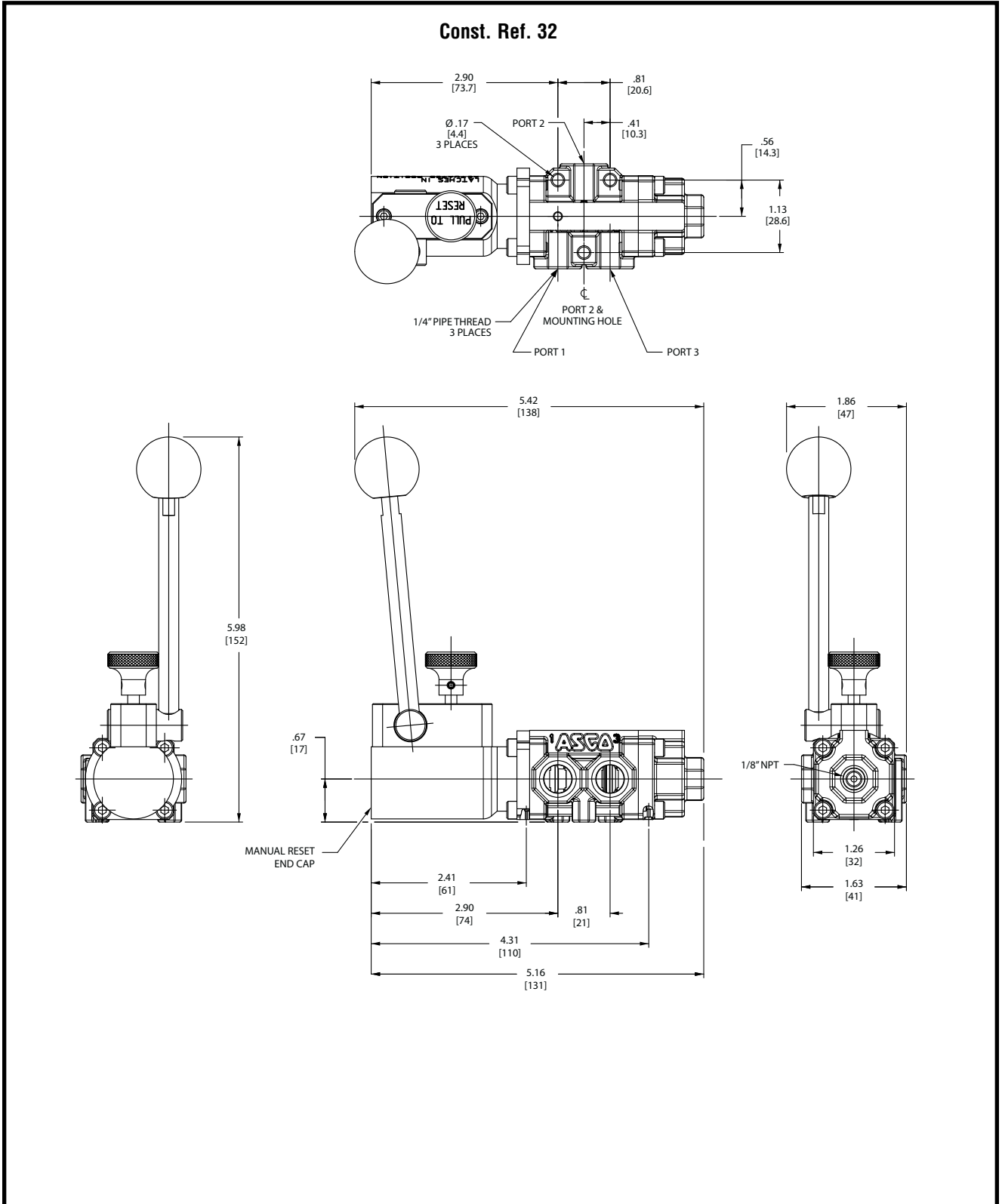


**Const. Ref. 31**



SPECIAL SERVICE  
 PILOT

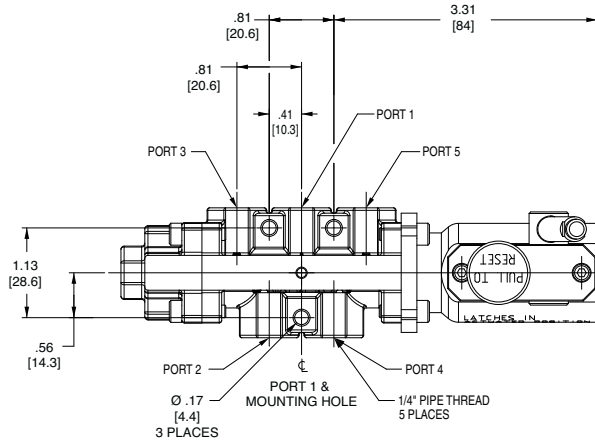
**Dimensions: inches (mm)**



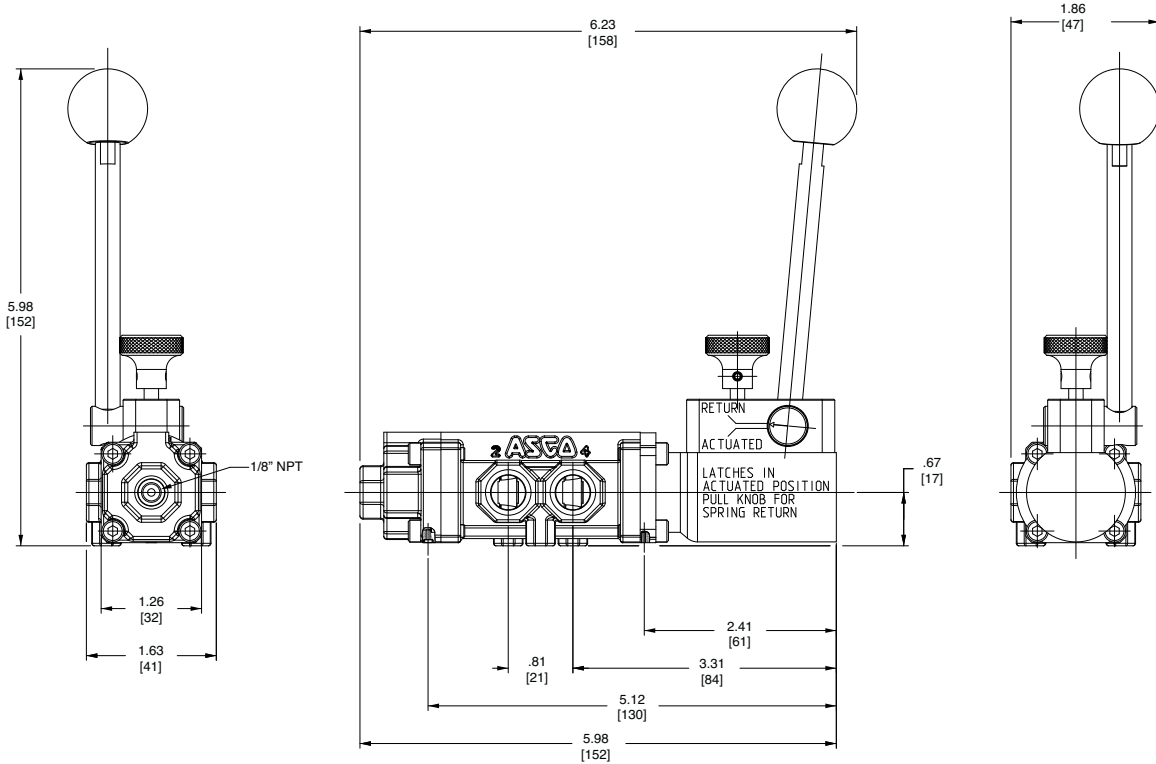
**SPECIAL SERVICE  
PILOT**

**Dimensions: inches (mm)**

**Const. Ref. 33**



BALL KNOB NOT SHOWN IN THIS VIEW



SPECIAL SERVICE  
 PILOT