



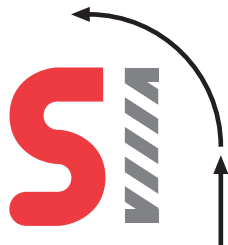
Keeping the World Flowing



Skilmatic **SI** intelligent actuators offer a unique combination of the renowned features of Rotork actuation, such as the double-sealing system and non-intrusive infrared commissioning capability, with the benefits of control and safety from Skilmatic range.

The **SI-1Q** range are compact and robust electrically operated failsafe spring-return quarter-turn actuators. The actuators are designed to provide a 90 degree travel for two-position, ESD or modulating applications. The actuators are suitable for all types of quarter-turn valves and are supplied with a mounting flange to ISO 5211.

The **SI-1Q** is watertight and dust-tight to IP67 / NEMA 6 with the option of IP68 and includes the Rotork double-seal system with separated termination and cable gland compartment. The actuators are also available certified explosionproof for hazardous area gas group **IIB** and **IIC** applications.



## Skilmatic SI-1Q

Spring-Return Electric Quarter-Turn Actuator  
(65 to 480 Nm)

### Features

- Self-contained electrically operated actuator with internal low pressure electro hydraulic control module
- Spring-return, failsafe or lock in position
- Spring-return speed options – single or dual valve combinations
- Single-phase, three-phase and DC power supply
- Watertight and explosionproof for gas group IIB & IIC
- Double-sealed control module – with separate terminal compartment
- Non-intrusive commissioning and configuration setting tool
- Local LCD dual screen display – for position indication, internal pressure and fault diagnostics
- Local controls – lockable Local/Stop/Remote selector switch with local Open/Closed switch
- Modulating control – 4-20 mA input and output with a resolution < 0.25 %
- Digital control – two position and emergency shutdown options for functional safety instrumented systems
- Output relays for monitoring, fault alarms and Open/Closed limits
- Optional Fieldbus communications
- Built in datalogger – recording events, trends and alarms
- Partial stroking capabilities for ESD applications activated remotely or locally via the setting tool
- Functional safety – SIL certified

## Skilmatic SI-1Q

Consisting of a self-contained electro-hydraulic control module and scotch yoke spring-return drive. The actuators combine the simplicity of electrical operation, with the precision of hydraulic control, and reliability of spring-powered failsafe action. The spring-return mechanism provides the most reliable means of positioning a valve to the safe condition and can be provided as failsafe close, open or lock in last position on power or signal failure. The actuators are available as spring-return clockwise or anti-clockwise, with end of spring torque from 65 Nm (575 lbf.in) to 480 Nm (4,248 lbf.in).

The actuator can be programmed with the *Bluetooth*<sup>®</sup> wireless setting tool to accept an analogue or digital input, with ESD and partial stroking or network cards options. A wide range of functions can also be selected through the setting tool such as zero and span limits, dead band, hysteresis, interrupter timer, ESD options, partial stroke testing and alarms.

The actuator is provided with a built in datalogger to record the configuration settings and the last 1,024 events with 32 bits of status for each event. The data can be downloaded via the Rotork *Bluetooth*<sup>®</sup> Setting Tool *Pro*.

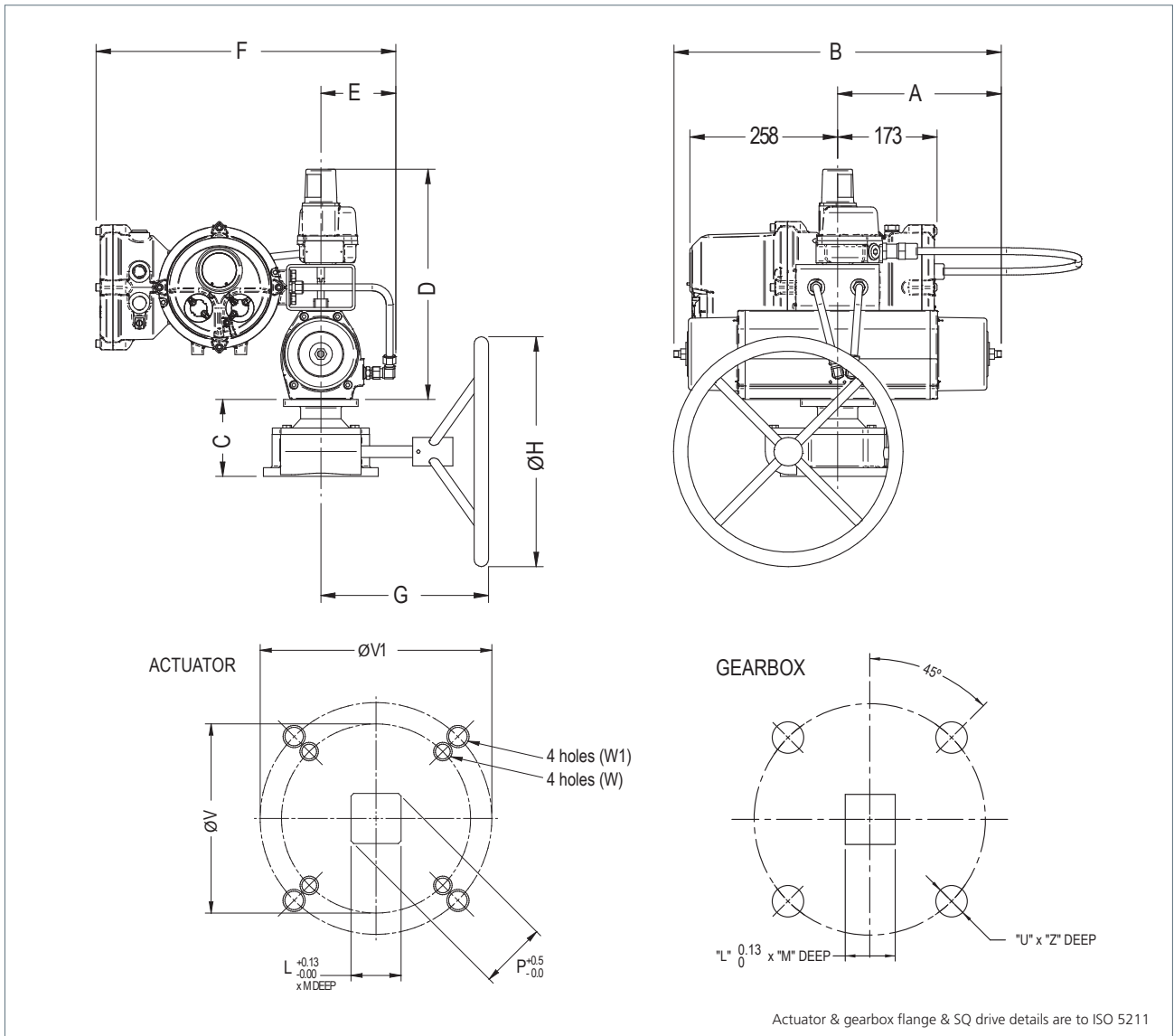
Optional internal fieldbus communication boards are also available for the Rotork *Pakscan*<sup>™</sup>, *DeviceNet*<sup>®</sup>, *Profibus*<sup>®</sup>, *Foundation Fieldbus*<sup>®</sup> and *Modbus*<sup>®</sup> digital control systems.

Specifically designed for on/off duties particularly where failsafe ESD action is required, lockable local controls are provided as standard and on safety critical applications the local selection can be overridden depending on the actuator configuration. The actuator can also be configured for ESD manual reset. Electro-mechanical ends of stroke limit switches are also provided.

Operating from a standard single-phase, three-phase or 24 VDC supply the actuators are also ideal for modulating control applications, the control module provides a pulsed hydraulic signal to accurately position the spring-opposed cylinder. Resulting in accurately positioning a valve with a resolution better than 0.25 of a degree. Manual override gearbox or hydraulic hand pump is available on all sizes.



# SI-1Q Dimensions and Mounting Details



Dimensions	Actuator Code					
	SI-1-Q31 / SI-1-QA31	SI-1-Q41 / SI-1-QA41	SI-1-Q51 / SI-1-QA51	SI-1-Q60 / SI-1-QA60	SI-1-Q61 / SI-1-QA61	
A	195	200	285	285	285	
B	265	400	375	570	570	
C	119	119	131	134	134	
D	331	331	380	385	384	
E	107	107	133	133	133	
F	500	500	525	525	525	
F*	584	584	609	609	609	
G	272	272	297	312	312	
ØH	400	400	400	600	600	
L	17	22	22	27	27	
M	30	30	30	37	37	
ØP	22.2	28.2	28.2	36.2	36.2	
ØV	70	70	102	102	102	
ØV1	102	102	125	125	125	
W	M8x14	M8x14	M10x17	M10x17	M10x17	
W1	M10x17	M10x17	M12x21	M12x21	M12x21	
U x Z	M10x13	M10x13	M12x16	M12x16	M12x16	
Weight (Kg)	27	30	38	42	42	
Weight With Gearbox (Kg)	39	42	56	60	60	

Note: For 3-phase units use F\* instead of F. Manual override gearboxes are optional.

# Ordering Code

## Ordering Code Example

SI-1-Q51 - 0 0 2 - 1 0 - 0 0 - A A

### Failure Mode

- 0 = Failsafe on loss of power supply (in direction of spring) (note 6)
- 1 = Fail in Position on loss of power supply (note 7)

### Spring-return Speed & ESD Options

- 0 = Speed A – Single internal solenoid (note 6)
- 1 = Speed B – Dual internal solenoid (note 6 & 8)
- 2 = Speed C – Single internal & external Solenoid (note 4 & 9)
- 3 = Speed D – Slow acting internal solenoid – Consult sales office
- 6 = Speed A – Hardwired single internal solenoid (note 7)
- 7 = Speed C – Hardwired single internal & external Solenoid (note 4 & 7)

### Supply Voltage

- 0 = Single-phase 115 VAC ± 10% 50/60 Hz
- 1 = Single-phase 230 VAC ± 10% 50/60 Hz
- 2 = 24 VDC ± 10%
- 3 = Three-phase 380-480 VAC ± 10% 50/60 Hz

### Control

- 0 = Standard digital control (Open / Closed / partial stroke)
- 1 = Analogue control 4-20 mA or 0-10 VDC (note 3 & 5)
- 2 = *Pakscan* (note 5)
- 3 = *Pakscan* – analogue input (note 5)
- 4 = Modbus single channel (note 5)
- 5 = Modbus dual channel (note 5)
- 6 = Profibus dual channel (note 5)
- 7 = DeviceNet (note 5)
- 8 = Foundation Fieldbus (note 5)
- 9 = Profibus single channel (note 5)

### Certifications

- 0 = WT – Watertight IP67
- 1 = ATEX – European – Hazardous area Gas group IIB (IP67)
- 1C = ATEX – European – Hazardous area Gas group IIC (IP67) (note 11)
- 2 = IEC – International – Hazardous area Gas group IIB (IP67)
- 2C = IEC – International – Hazardous area Gas group IIC (IP67) (note 11)
- 3 = FM – US – Hazardous area Gas group IIB (IP67) (note 10)
- 3C = FM – US – Hazardous area Gas group IIC (IP67) (note 10)
- 4 = CSA – Canada – Hazardous area Gas group IIB (IP67) (note 10)
- 4C = CSA – Canada – Hazardous area Gas group IIC (IP67) (note 10)
- 5 = EAC – Russia TR TS Hazardous area Gas Group IIB
- 5C = EAC – Russia TR TS Hazardous area Gas Group IIC -20 to +60 (IP67) (note 11)
- 6 = INMETRO – Brazil – apply factory
- 6C = INMETRO – Brazil – apply factory

### Cable Entries

- 0 = M25 x 1.5P
- 1 = M20 x 1.5P
- 2 = ½" NPT
- 3 = ¾" NPT
- 4 = 1" NPT

### Hydraulic Fluid/Operating Temperature

- 0 = Mineral fluid –10 to +65 °C (note 2)
- 3 = Food grade fluid –10 to +60 °C (note 2)
- 4 = Silicone fluid –30 to +60 °C (note 10 & 11)
- 5 = Silicone fluid / Low temperature seals –35 to +60 °C (note 10 & 11)

### Mounting

- A = Vertical stem above valve
- B = Vertical stem below-valve
- C1 = Valve stem & pipeline horizontal
- C2 = Valve stem horizontal, pipeline vertical
- D = Vertical stem above valve with valve mounting kit
- E = Valve stem vertical below valve with valve mounting kit
- F1 = Valve stem & pipeline horizontal with valve mounting kit
- F2 = Valve stem horizontal, pipeline vertical with valve mounting kit

### Accessories

- A = None
- B = Manual override hydraulic hand pump
- C = Manual override (Gearbox Standard IP65)
- D = WT – Watertight IP68 - 7m for 72 hours (note 4)
- F = Two additional volt free SPDT limit switches (four total)
- G = Hardware ESD configuration (Failsafe actuators only) (note 6)
- H = All cable entries plugged
- J = Viton seals
- K = Paint colour change to standard specification
- L1 = Coastal Paint & Exd IIC applications (2 pack Epoxy 150 to 200 microns)
- L2 = Offshore Paint, watertight & Exd IIB applications (2 pack Epoxy to 250 to 350 microns)
- M = Proximity limit switches replacing standard V3 micro switches
- N = Flow control valve – to adjust and increase the stroke speed in the spring direction
- O = Optional low power external solenoid valve option for 'Spring-Return Speed & ESD Options' code 2 or 7 – consult sales office
- R = Steel actuator drive option Q51 to Q61
- T = Remote mounted EH power module (Max distance 5m from actuator drive)

## Ordering Code

### Notes:

- 1 Select one option from each section except Accessories with multiple options.
- 2 Stroke speed is typical for all actuators with no load at 20 °C. Speed can vary  $\pm 10\%$  (or 1 second, whichever is greater) at 20 °C. Stroke speeds with mineral and food grade fluid are affected by subzero temperatures and can change by up to 50%. If this is not acceptable select silicone fluid.
- 3 All actuators are available with 4-20 or 20-4 mA output, powered internally by an isolated 24 VDC supply or external customer supply.
- 4 All actuators are watertight to IP67, the option of IP68 is available except external solenoid option. (Spring-Return Speed and ESD Options – code 2 & 7).
- 5 Analogue control, local controls, partial stroking and communication circuits are not part of the Functional Safety circuit.
- 6 Functional safety applications (SIL) – Failsafe on loss of power supply.  
Select Spring-Return Speed and ESD Options – code 0, 1, 2 or 3 and Accessories – code G.
- 7 Functional safety application (SIL) – Fail in last position on loss of power supply. The actuator will failsafe on loss of 24 VDC ESD input signal.  
Select Spring-Return Speed and ESD Options – code 6 or 7.
- 8 For applications requiring redundant solenoid valves, (Spring-Return Speed and ESD Options – code 1), please refer to single solenoid speed 'A' for critical safety speed on functional safety systems.
- 9 Spring-Return stroke speed 'C' can be reduced, consult the sales office for details.
- 10 External solenoid option FM & CSA certified, available to a minimum -20 °C.
- 11 Explosionproof actuators for gas group IIC, available only for temperature -20 to +65 °C.

## Performance Data

Code		Torque Nm (lbf.in)							Stroke Speed (seconds)				
		BTO	RTO	ETO	BTC	RTC	ETC	Possible Max Hydraulic @12 bar relief valve setting	Hydraulic Stroke speed	Spring-Return Speed (note 2 and 9)			
										Speed A	Speed B	Speed C	
Clockwise	SI-1-Q31	146 (1290)	56 (495)	75 (663)	93 (822)	40 (353)	65 (574)	191 (1688)	16	5	3	2	
	SI-1-Q41	307 (2714)	112 (990)	151 (1335)	180 (1591)	100 (884)	140 (1237)	401 (3545)	32	9	5	2	
	SI-1-Q51	431 (3810)	163 (1441)	214 (1892)	325 (2873)	170 (1503)	240 (2122)	565 (4995)	51	13	8	4	
	SI-1-Q60	1007 (8903)	395 (3492)	563 (4978)	500 (4421)	260 (2298)	380 (3359)	1290 (11406)	96	27	18	7	
	SI-1-Q61	907 (8019)	326 (2882)	434 (3837)	630 (5570)	340 (3006)	480 (4244)	1188 (10504)	100	26	14	6	
Anti-Clockwise	SI-1-QA31	93 (822)	40 (353)	65 (574)	146 (1290)	56 (495)	75 (663)	191 (1688)	16	5	3	2	
	SI-1-QA41	180 (1591)	100 (884)	140 (1237)	307 (2714)	112 (990)	151 (1335)	401 (3545)	32	9	5	2	
	SI-1-QA51	325 (2873)	170 (1503)	240 (2122)	431 (3810)	163 (1441)	214 (1892)	565 (4995)	51	13	8	4	
	SI-1-QA60	500 (4421)	260 (2298)	380 (3359)	1007 (8903)	395 (3492)	563 (4978)	1290 (11406)	96	27	18	7	
	SI-1-QA61	630 (5570)	340 (3006)	480 (4244)	907 (8019)	326 (2882)	434 (3837)	1188 (10504)	100	26	14	6	

# Specification

## Certification

ATEX – II 2G Ex db mb eb\* IIB T4 Gb (Tamb -35 to +65°C)  
ATEX – II 2G Ex db mb eb\* IIC T4 Gb (Tamb -20 to +65°C)  
EN 60079-0, EN 60079-1, EN 60079-7, EN 60079-18, EN 13463-1

IEC Ex – Ex db mb eb\* IIB Gb T4 (Tamb -35 to +65°C)  
IEC Ex – Ex db mb eb\* IIC Gb T4 (Tamb -20 to +65°C)  
IEC 60079-0, IEC 60079-1, IEC 60079-7, IEC 60079-18

FM - Class I, Zone 1 AEx dme\* IIB T4 (Ta -35 to +65 °C)  
FM - Class I, Zone 1 AEx dme\* IIC T4 (Ta -20 to +65 °C)  
Class 3600, ANSI/ISA-12.00.01, ANSI/ISA-12.22.01,  
ANSI/ISA-12.16.01 ANSI/ISA-12.23.01,  
Class 3810 & ANSI/NEMA-250

CSA – Ex db mb eb\* IIB T4, -35 °C ≤ Ta ≤ 65 °C  
CSA – Ex db mb eb\* IIC T4, -20 °C ≤ Ta ≤ 65 °C  
Product Class 2258 02 (approval apply to the power module –  
Full actuator assembly will be subject to CSA inspection)

TRTS EAC – Ex dme\* IIB T4 (Tamb -35 to +65 °C)  
TRTS EAC – Ex dme\* IIC T4 (Tamb -20 to +65 °C)  
EN60079-0, EN60079-1, EN60079-7, EN60079-18

\*'e' or 'eb' increased safety available on single-phase and DC supply voltage only.

Certification temperatures are not operating temperatures; see operating temperature, page 4.

## Rotork Bluetooth® Setting Tool Pro:

Ex ia IIC T4 (intrinsically safe)  
FM, INT SAFE Class I, II DIV1 Group A B C D  
CSA, EEx, Class I, II Div 1 Group A B C D

## Functional Safety:

The Skilmatic range has been certified to meet the full functional safety requirements of IEC 61508 Parts 1-7 and is suitable for use in a SIL 2/3 system depending on the configuration.

Please refer to the appropriate safety manual for full failure rate data and any restrictions of use.

## Enclosure:

Watertight to IP67 / NEMA 6, double-sealed protection with separate cable gland and termination compartment. Optional Watertight models to IP68, Std 7 meters/72 hours, for alternative depths / pressures consult factory. External ESD solenoid option is only available to IP67.

## Materials

Control Module:	Aluminium
Actuator Body:	Anodised Aluminium
Actuator Springs:	Corrosion protected spring steel
Seals:	Nitrile, optional materials for high and low temperature applications
Driving Shaft:	304 Stainless Steel
Switchbox:	Aluminium
Mounting Bracket:	Steel
Piping:	316 Stainless Steel (hard piped)
Paint Finish:	Standard Grey, powder coated electrical compartments with two pack epoxy hydraulic compartment and actuator drive, minimum 90 microns (see page 4 for additional paint options)

## Mechanical

Operating Temperature:	See page 4
Torque / Speed:	See page 5
Stroke Q31 & Q41:	0 to 90° +/-3° in the hydraulic direction (see installation & maintenance manual for details)
Stroke Q51 to Q61:	0°± 2.5° to 90°± 2.5° in the end of spring direction
Weight:	See dimensional detail (page 3)
Failure Mode:	Failsafe in the direction of the spring or Fail in last position
Action:	Spring-return clockwise or anti-clockwise
Hydraulic Fluid:	See page 4
Maximum Working Pressure:	12 bar (175 psi)
Manual Override:	Optional gearbox or hydraulic hand pump
Internal Pressure Transmitter:	Displayed as a percentage of maximum working pressure
Mounting:	Valve stem vertical or horizontals (see page 4)

# Specification

## Electrical

<b>Electrical Supply:</b>	Single-phase 115 or 230 VAC, Three-phase 380 to 480 VAC or 24 VDC
<b>Supply Tolerance:</b>	Supply voltage $\pm 10\%$ , Frequency 50/60 Hz $\pm 5\%$
<b>Power Consumption:</b>	Available upon request
<b>Pump Coil Protection:</b>	Thermal cutouts and thermal fuse
<b>Cable Entries:</b>	Power module has a minimum of two spare entries. See page 4 plus two plugged M20 cable entries. See Drg No SMW-SI-010 for options. Switchbox spare entry will be plugged Atex - M20. FM/ CSA - 1/2" NPT
<b>Position Feedback:</b>	1K ohm. Conductive plastic
<b>Remote Digital inputs:</b>	Open, Close, maintain, ESD and Partial Stroke – Std 20 to 60 VAC/ DC or 60 to 120 VAC. Other voltages consult factory. 5 mA minimum duration 300 ms. (DC inputs must be +ve switched)
<b>Limit Switches:</b>	Two adjustable electro mechanical SPDT volt free switches. Rating 5A minimum at 230 VAC (See page 4)
<b>Non-Intrusive Setting:</b>	Sealed control module with infrared / Bluetooth setting from the Rotork Bluetooth® Setting Tool <i>Pro</i> . All values are held within EEPROM to maintain settings within the memory on power failure. Datalogger configurations and recorders can be downloaded via the Rotork Bluetooth® Setting Tool <i>Pro</i>
<b>Display:</b>	Rotork LCD dual display with 32 character text to allow viewing of the valve position, internal pressure and diagnostics screens. LED's are provided to indicate limits and intermediate state in the remote mode

## Control

<b>Control Options:</b>	Remote Digital (Open, Close, maintain), Emergency shutdown and Partial stroking. Or Analogue Modulating - Input 4-20 mA or 0-10 VDC
<b>Resolution:</b>	<0.25% of full scale
<b>Repeatability:</b>	<0.25%
<b>Duty Rating:</b>	Dependent of solenoid / speed selection, balanced open & closed speeds 95% rated
<b>Output:-</b>	4-20 or 20-4 mA, powered internally by an isolated 24 VDC supply or external customer supply
<b>Function Settings:</b>	Control options, Deadband and Hysteresis adjustable 0 – 99%, Partial stroking adjustable 0 - 99%, interrupt timer and ESD action
<b>Interrupt Timer:</b>	To slow the rate of closing and /or opening over. 0 –99% of stroke, with the time pulse ON and OFF duration selectable from 100ms to 99sec. Timer does not operate with loss on power
<b>Local Controls:</b>	Lockable Local/Stop/Remote selector switch and local Open / Closed switch
<b>Alarm and Limit relays:</b>	<i>Relay:</i> Volt free Normally Open or Normally Closed contacts rated 5 mA to 5A 120/230 VAC, 30 VDC
<b>Alarm Monitor Relay:</b>	De-energised on loss mains power, hardware, local controls, position sensor fault, and EEPROM error. Optional signal inverted to de-energise monitor relay for low power applications.
<b>Three Independent Alarm and Status Relay:</b>	Can be configured to customer specific alarms and status indication
<b>Fieldbus Communication Options (internally mounted):</b>	
<b>Pakscan:</b>	Rotork fieldbus system for remote control and status indication over a fault tolerant two-wire serial link. Loop distance up to 20 km. (See PUB059-048)
<b>Modbus:</b>	Single and dual communication highways RS485. Modbus protocol RTU (See PUB091-001)
<b>Profibus DP:</b>	Fully compatibility with EN 50170 (See PUB088-001)
<b>Foundation Fieldbus:</b>	An IEC61158-2 compliant Foundation interface module allows connection to a foundation network. (See PUB089-001)
<b>DeviceNet:</b>	ODVA certified DeviceNet interface, with full status data feedback, digital and analogue control (See PUB090-001)  For modulating applications consult factory regarding resolution on all fieldbus cards

Rotork reserves the right to change the specifications without notice.

# rotork®

Keeping the World Flowing

## Skilmatic SI-1Q

Spring-Return Electric Quarter-Turn Actuator  
(65 to 480 Nm)

A full listing of the Rotork sales and service network is available on our website.

[www.rotork.com](http://www.rotork.com)

#### Corporate Headquarters

Rotork plc  
tel +44 (0)1225 733200  
fax +44 (0)1225 333467  
email [mail@rotork.com](mailto:mail@rotork.com)

#### USA

Rotork Controls Inc.  
tel +1 (585) 247 2304  
fax +1 (585) 247 2308  
email [info@rotork.com](mailto:info@rotork.com)

### rotork®

Electric Actuators and Control Systems  
Fluid Power Actuators and Control Systems  
Gearboxes and Gear Operators  
Precision Control and Indication  
Projects, Services and Retrofit

PUB021-010-00  
Issue 04/19

As part of a process of on-going product development, Rotork reserves the right to amend and change specifications without prior notice. Published data may be subject to change. For the very latest version release, visit our website at [www.rotork.com](http://www.rotork.com)

The name Rotork is a registered trademark. Rotork recognises all registered trademarks. The Bluetooth® word mark and logos are registered trademarks owned by Bluetooth SIG, Inc. and any use of such marks by Rotork is under license. Published and produced in the UK by Rotork Controls Limited. POWTG0419

Rotork is a corporate member of the Institute of Asset Management

