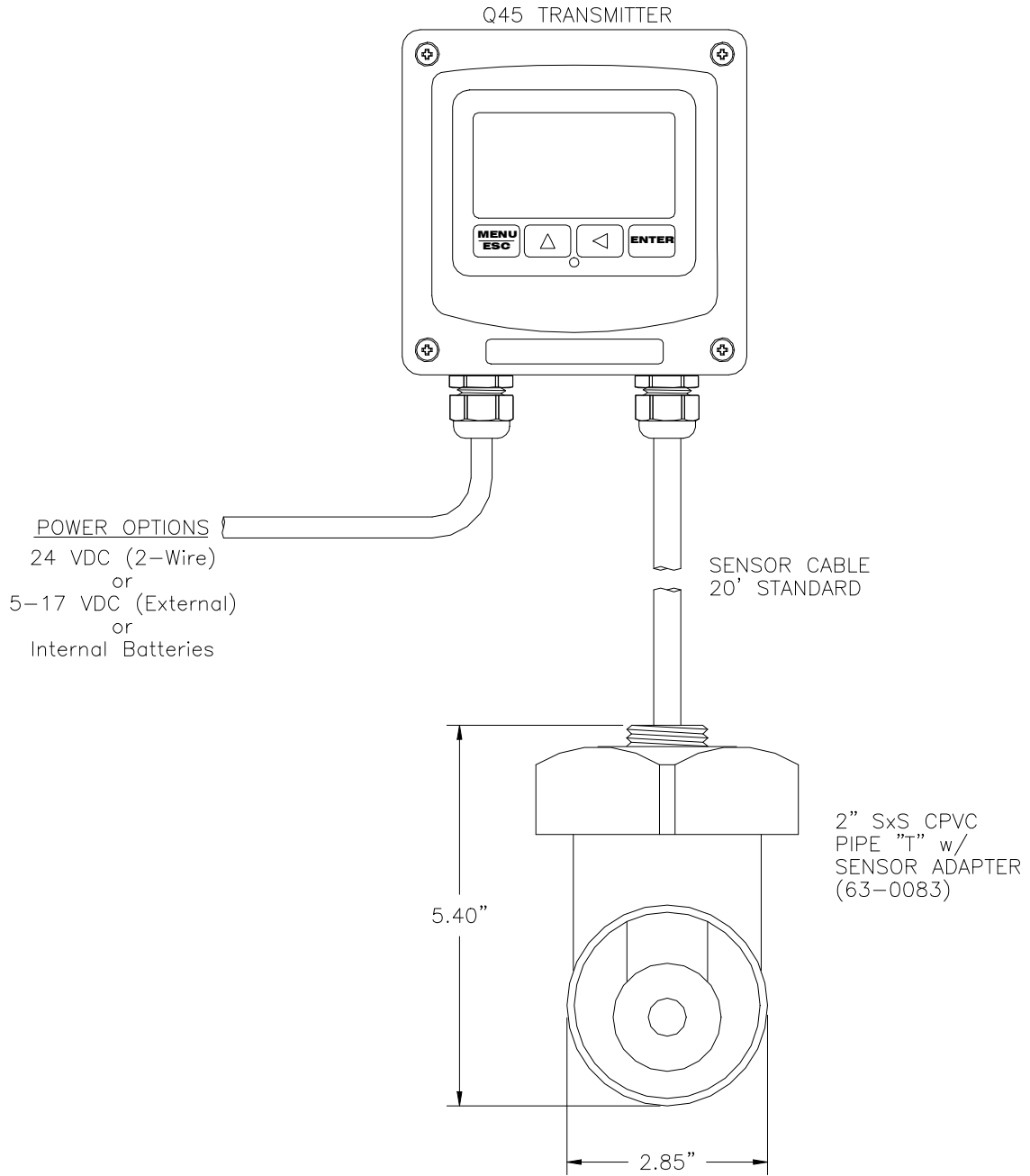
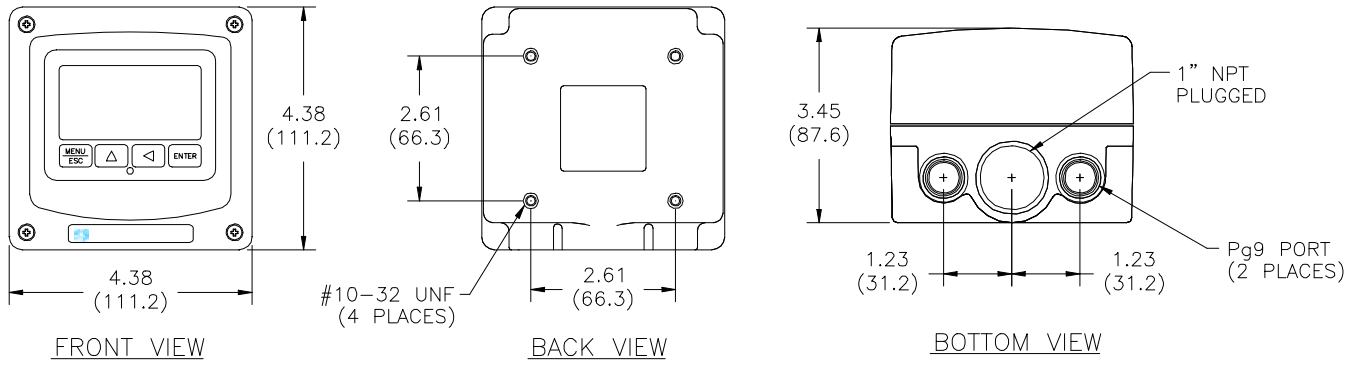


STANDARD SYSTEM DIAGRAM



ATI-0760

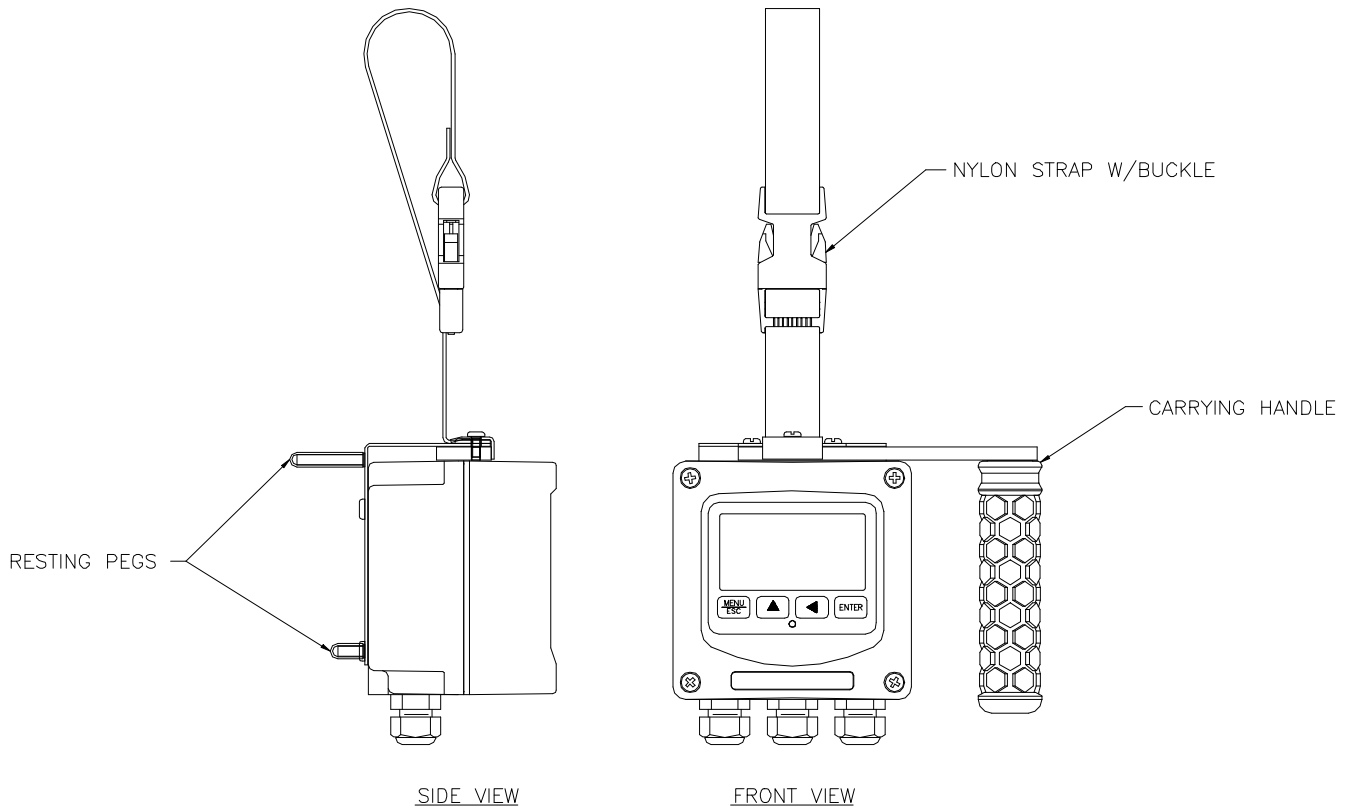
2-WIRE VERSION or REMOTE DC MODELS



NOTE: JUNCTION BOXES HAVE SAME DIMENSIONS AS 2-WIRE TRANSMITTER

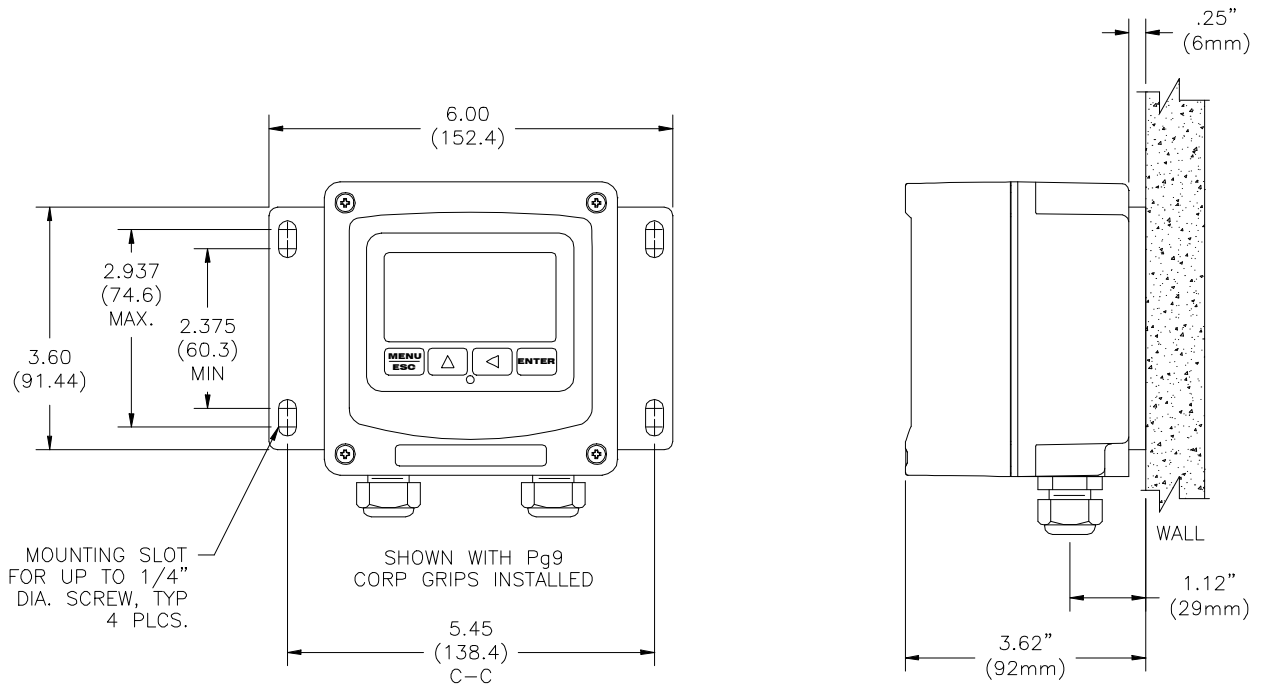
ATI-0655

INTERNAL BATTERY MODEL



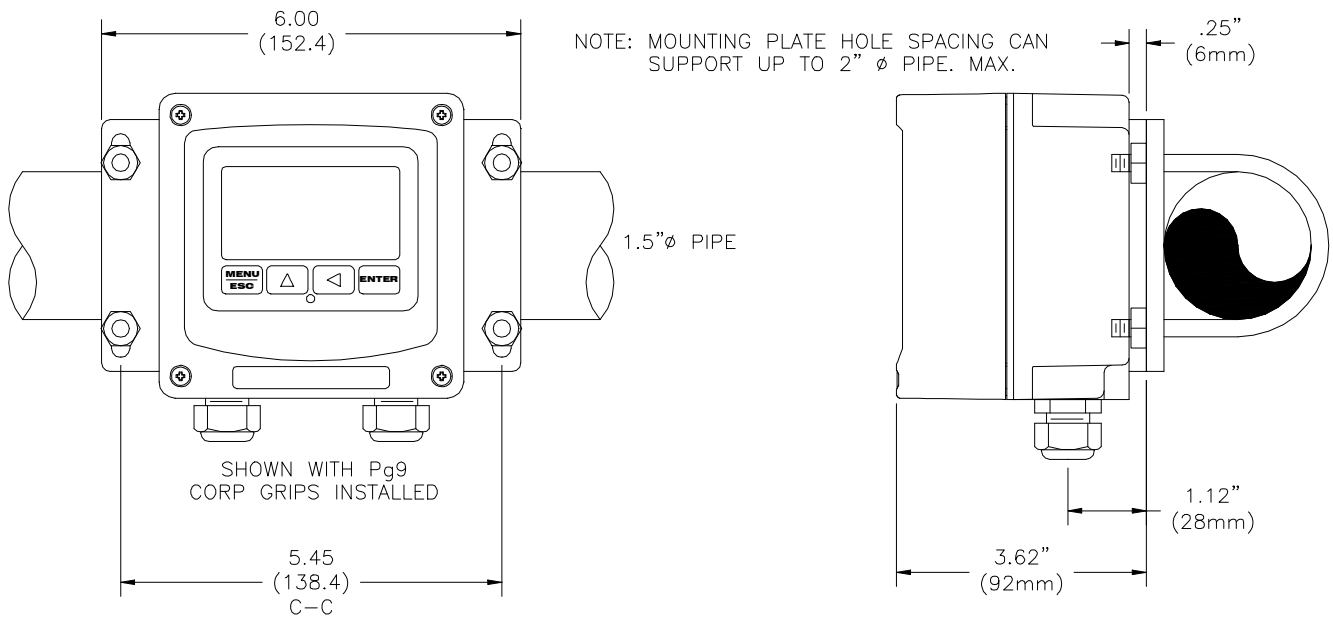
ATI-0688

WALL MOUNTING



ATI-1033

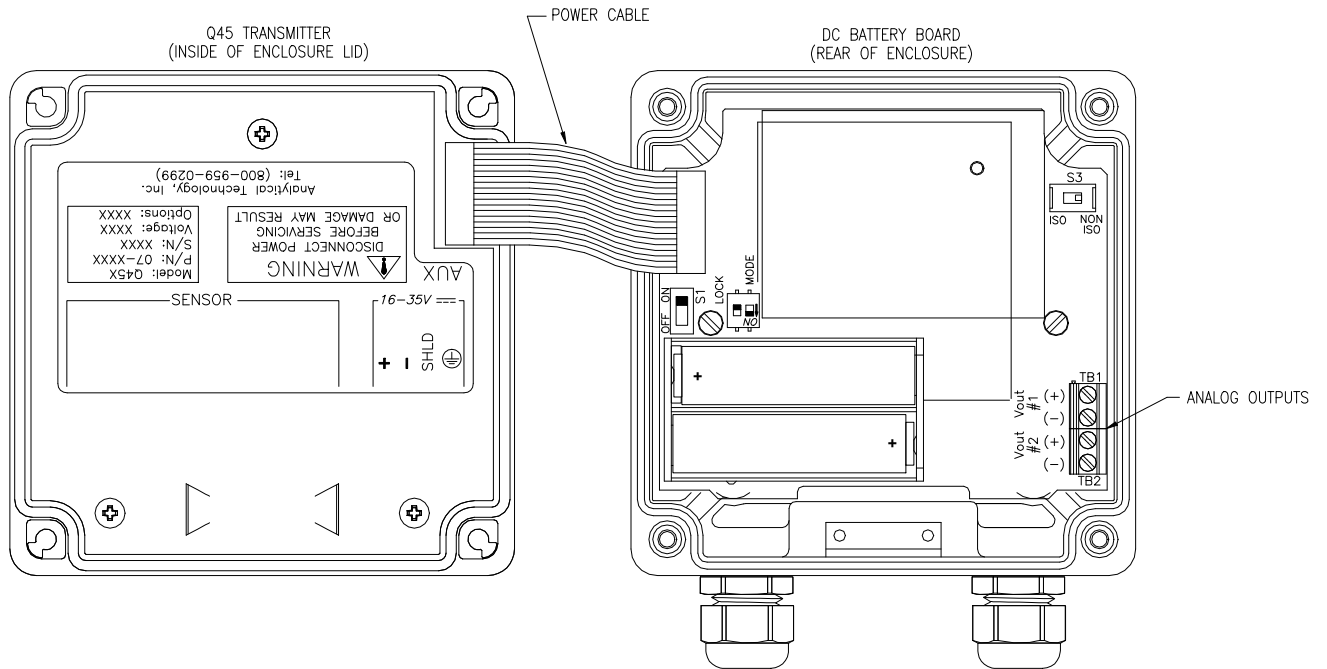
PIPE MOUNTING



NOTE: PLATE MAY BE TURNED 90° FOR VERTICAL PIPE MOUNTING

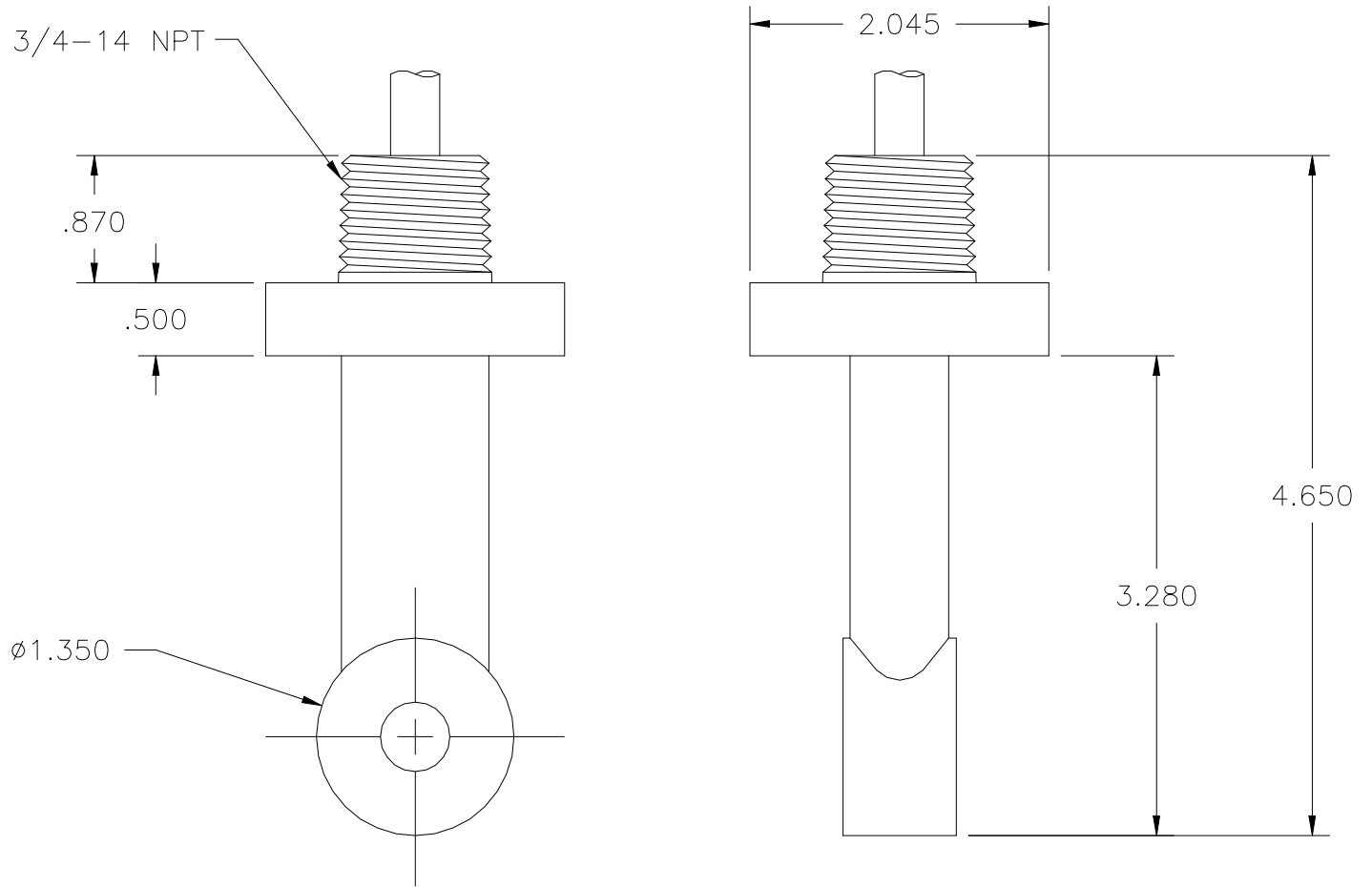
ATI-1034

INTERNAL BATTERY CONFIGURATION



ATI-0827b

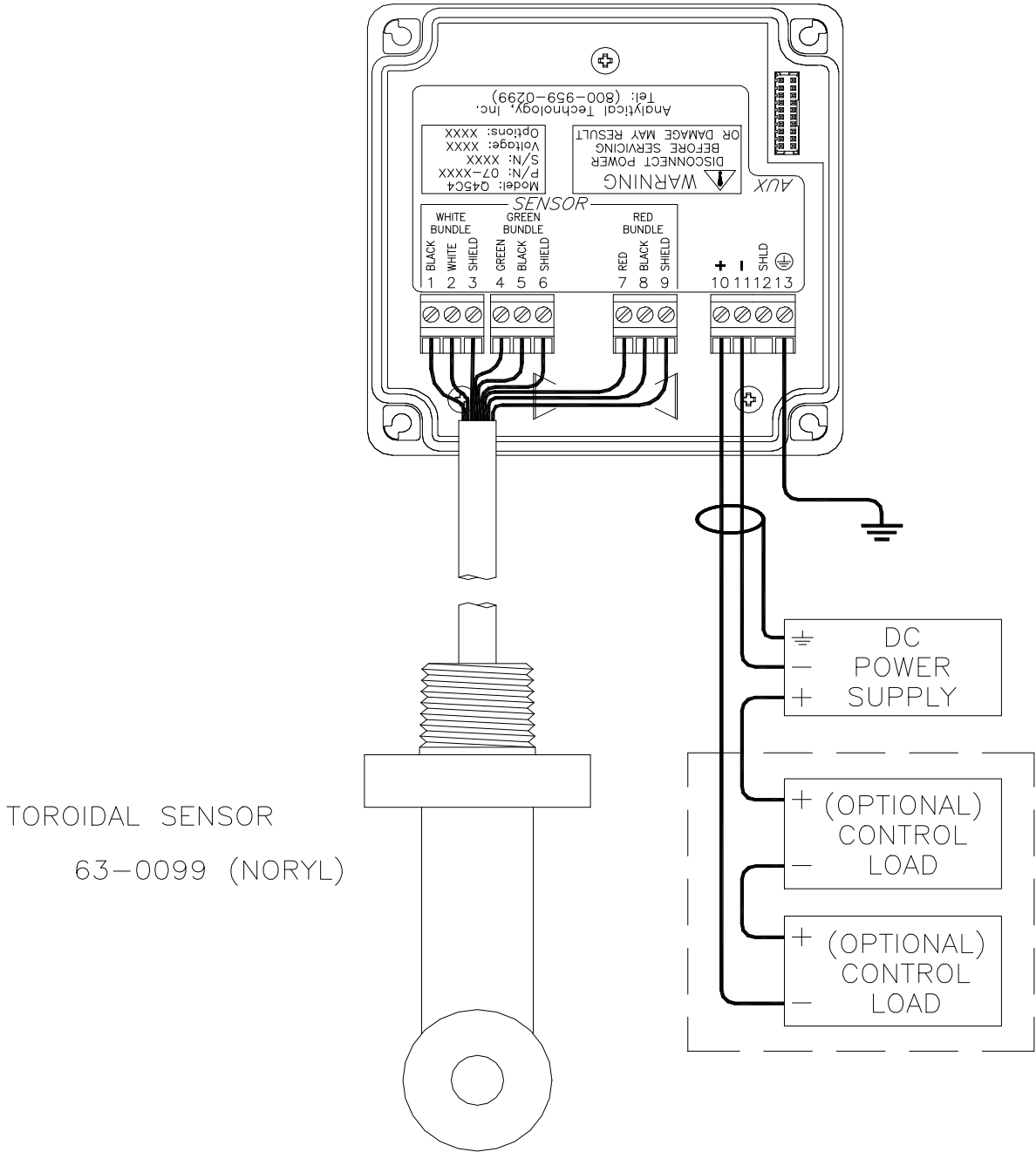
SENSOR DIMENSIONAL INFORMATION



Matl: Noryl

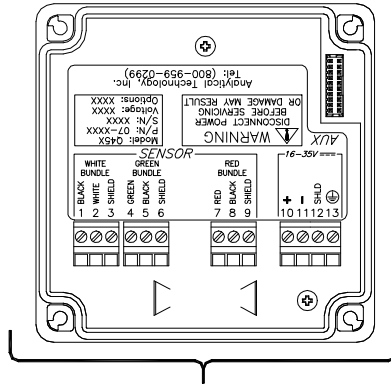
ATI-0758

ELECTRICAL CONNECTIONS - 2-WIRE TRANSMITTER



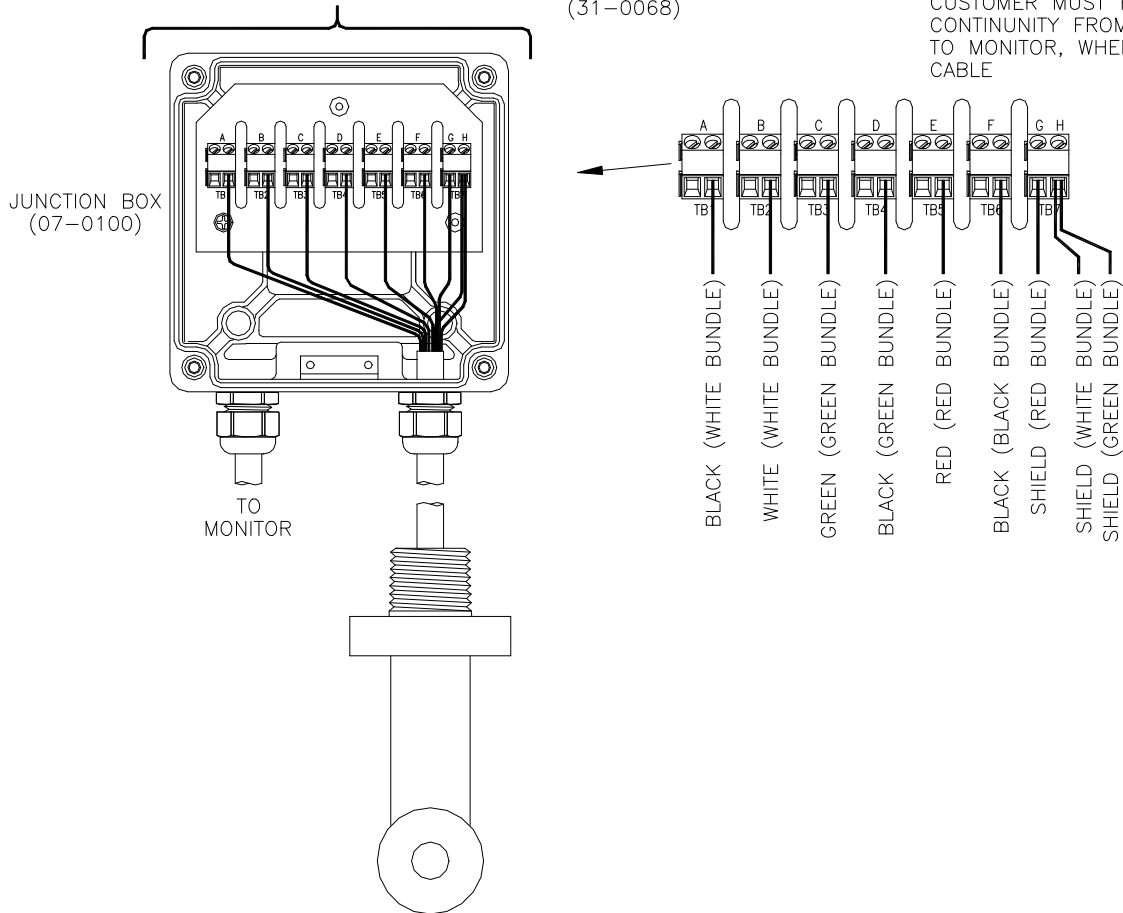
- NOTES:** 1. Voltage between Terminals 10 & 11 **MUST** be between 16 & 35 VDC.
 2. Earth ground into Terminal 13 is **HIGHLY** recommended. This connection can greatly improve stability in electrically noisy environments.

ELECTRICAL CONNECTIONS - JUNCTION BOX



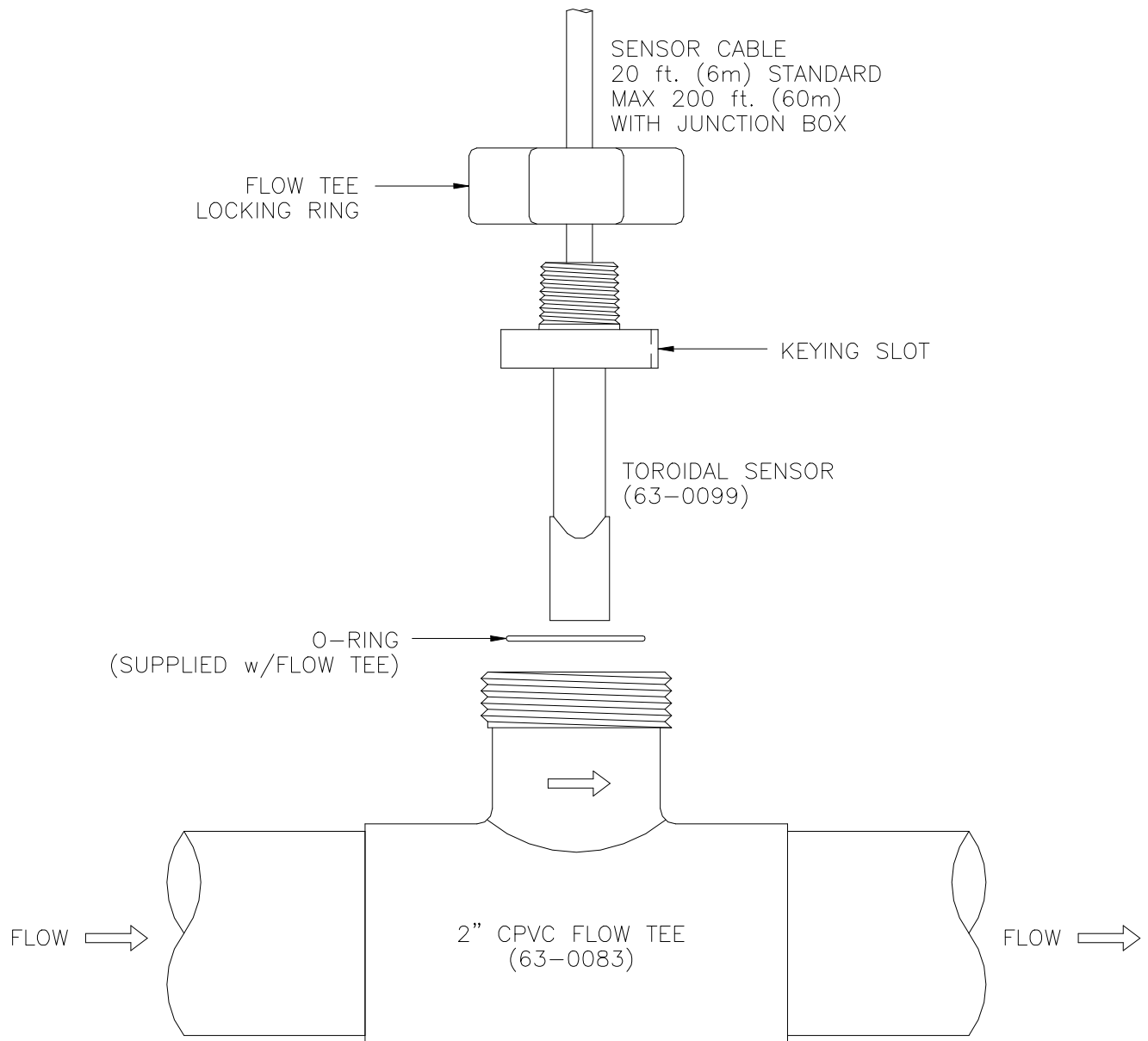
22 AWG 3 PAIRED INDIVIDUALLY SHIELDED CABLE REQ. BELDEN # 8777 or (31-0068)

CUSTOMER MUST FOLLOW CONTINUITY FROM J-BOX TO MONITOR, WHEN CONNECTING CABLE



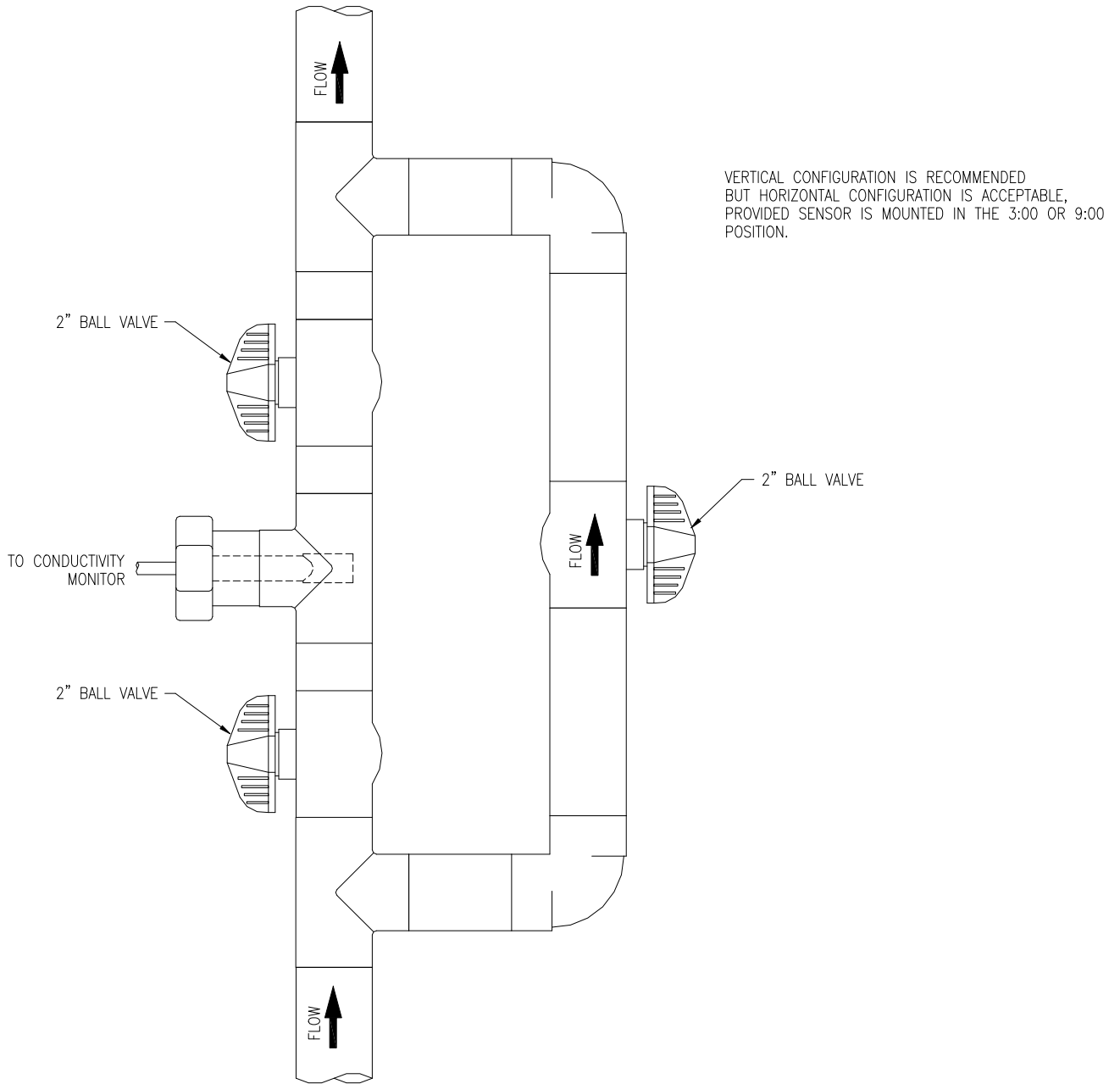
ATI-0796

CONDUCTIVITY SENSOR - 2" FLOW TEE ASSEMBLY

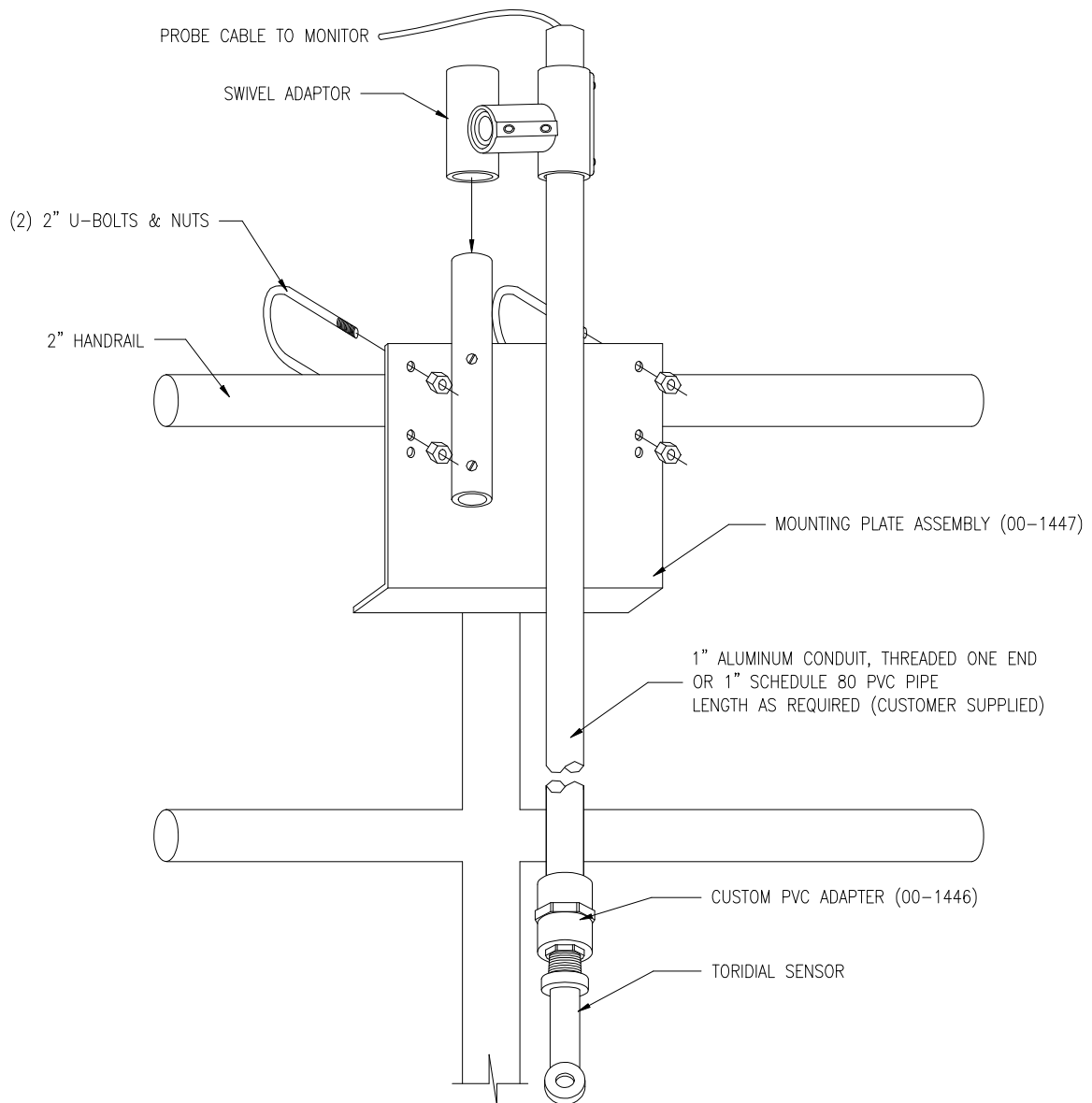


ATI-1038

FLOW "T" RECOMMENDED PIPING



ATI-1039

SUBMERSIBLE SENSOR DIMENSIONS & INSTALLATION

ATI-0762